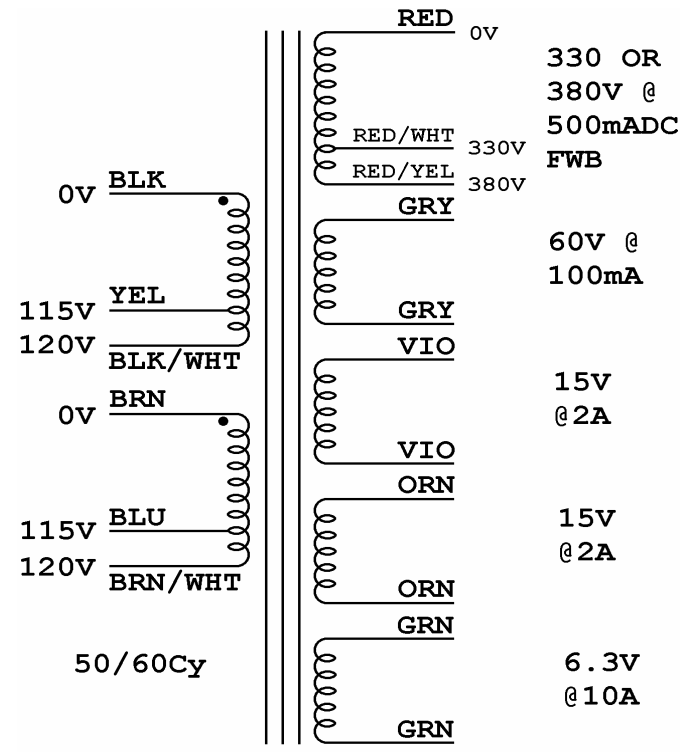
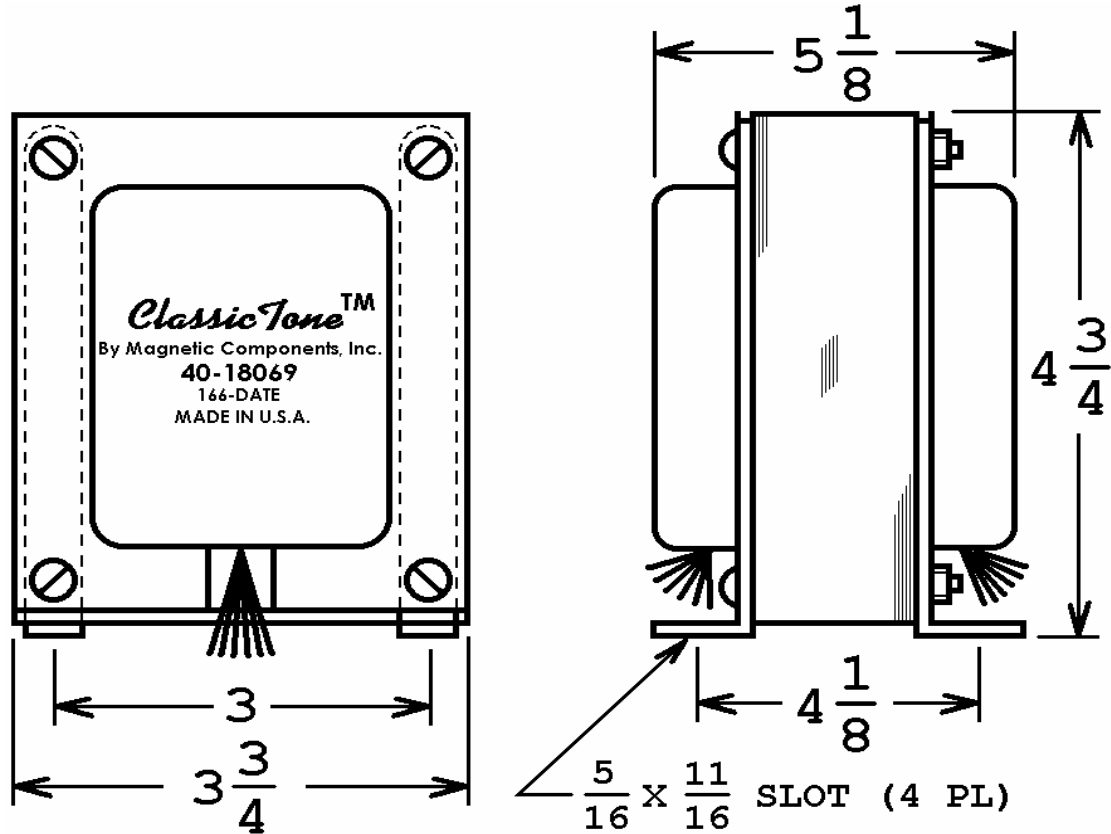


This drawing is the property of Magnetic Components, Inc. and shall not be reproduced, in whole or in part, without the written permission of Magnetic Components, Inc.

REVISIONS			
LTR	DESCRIPTION	DATE	APPROVED

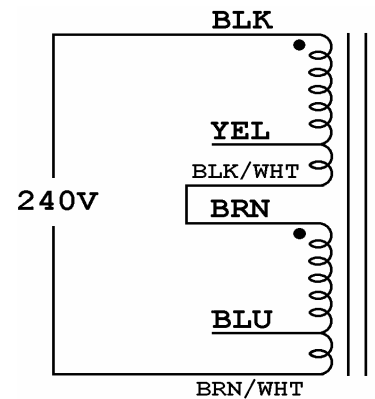
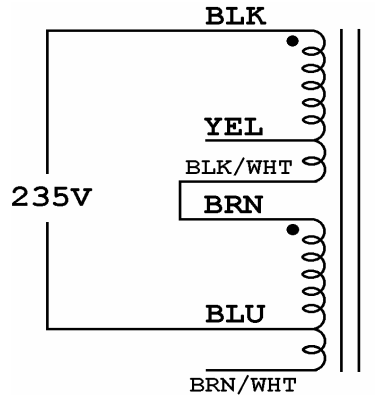
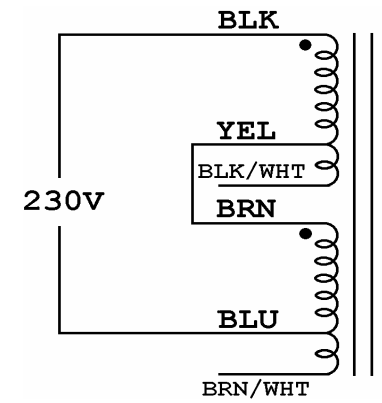
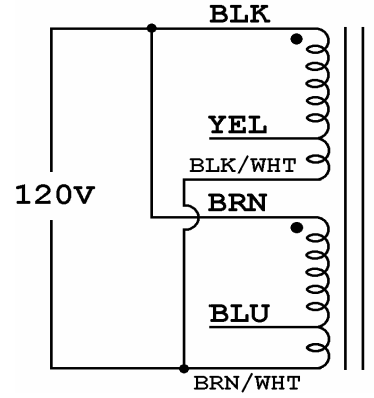
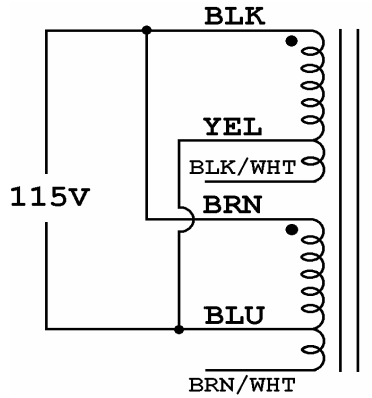


SEE SHEET 2 FOR PRIMARY CONNECTIONS

UNLESS OTHERWISE SPECIFIED ALL DIMENSIONS IN INCHES DO NOT SCALE DRAWING FRACTIONS +/- .X = +/- .XX = +/- .XXX = +/- ANGLES = +/-	SIGNATURES		DATE	MAGNETIC COMPONENTS, INC.	DIV :	
	DRAWN : <i>MJF</i>		15 MAR 11	TITLE	LOC : SCHILLER PK	
	CHECK :			POWER TRANSFORMER		
	APPR : <i>M. Lockert</i>		15 MAR 11	CAGE 50508	SIZE A	PART No. 40-18069
			SCALE NONE		REV -	
					SHEET :	

This drawing is the property of Magnetic Components, Inc. and shall not be reproduced, in whole or in part, without the written permission of Magnetic Components, Inc.

REVISIONS			
LTR	DESCRIPTION	DATE	APPROVED



UNLESS OTHERWISE SPECIFIED ALL DIMENSIONS IN INCHES DO NOT SCALE DRAWING FRACTIONS +/- .X = +/- .XX = +/- .XXX = +/- ANGLES = +/-	SIGNATURES		DATE	MAGNETIC COMPONENTS, INC.		DIV : LOC : SCHILLER PK	
	DRAWN : <i>[Signature]</i>		15 MAR 11	TITLE POWER TRANSFORMER			
	CHECK :						
	APPR : <i>[Signature]</i>		15 MAR 11	CAGE 50508	SIZE A	PART No. 40-18069	REV -
			SCALE NONE	SHEET : 2 OF 2			