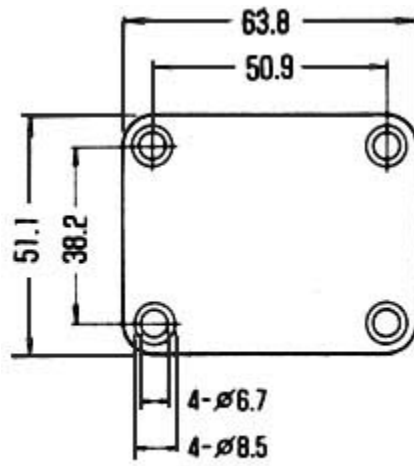


Neck Plate Diagram



Dimensions are in Millimeters