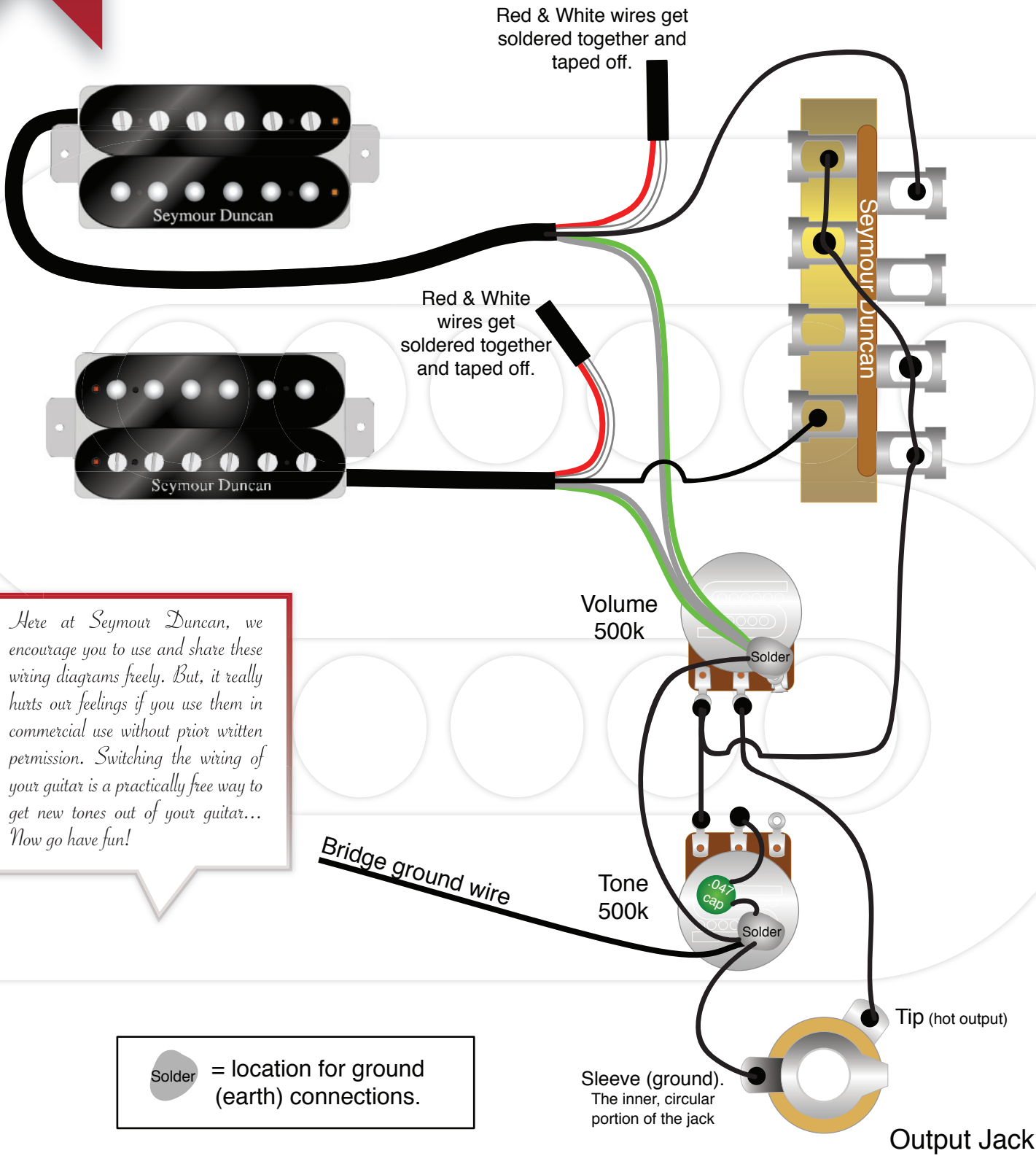



Seymour  
Duncan®

**2 HUMBUCKERS**  
**1 VOLUME | 1 TONE**  
**3 WAY BLADE**



*Here at Seymour Duncan, we encourage you to use and share these wiring diagrams freely. But, it really hurts our feelings if you use them in commercial use without prior written permission. Switching the wiring of your guitar is a practically free way to get new tones out of your guitar... Now go have fun!*

 = location for ground (earth) connections.