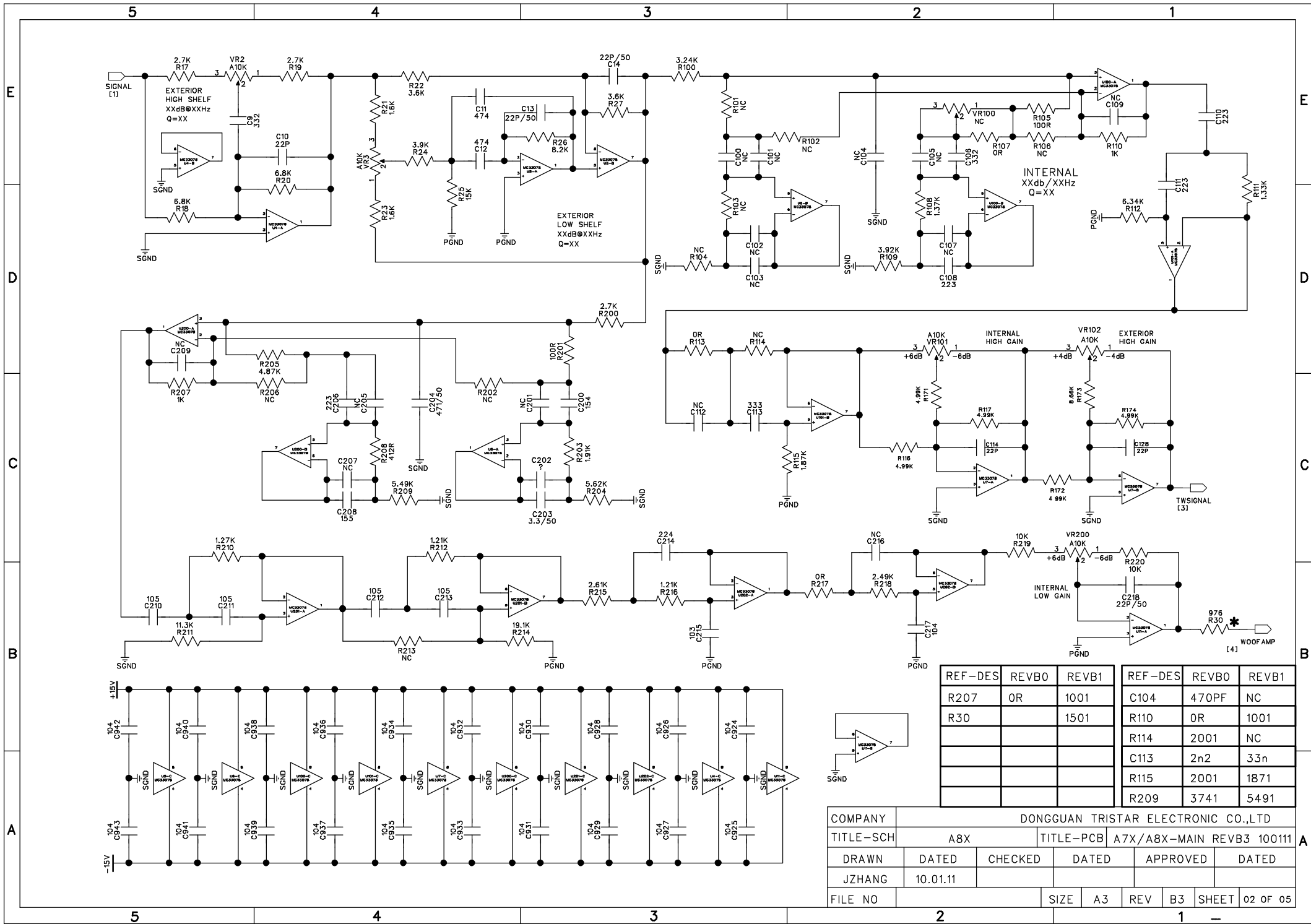


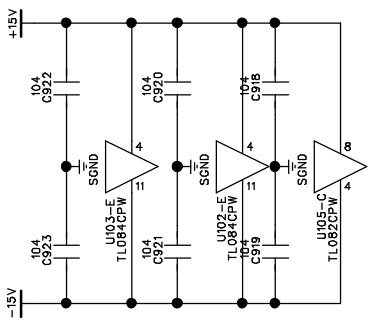
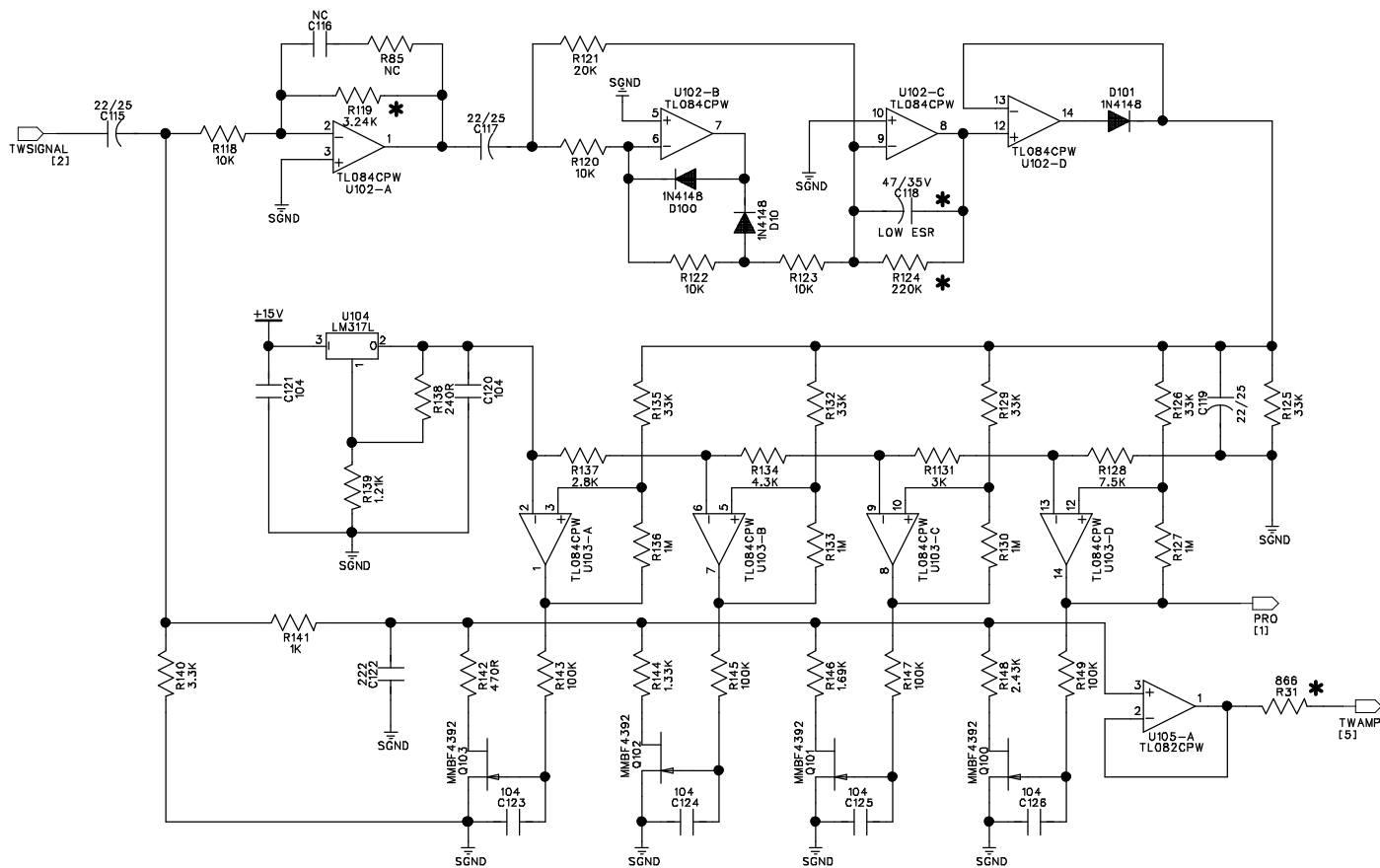
REF-DES	REVB0	REVB1
R2	5001	1502
R5	5001	1502
D702	1N4148	NC
R49	5603	OR
C1	68PF	47PF
C2	22PF	47PF
REF-DES	REVB2	REVB3
R11,28,29	2K	NC
D3.D4	1N4001	NC
R150	1.5K	390/1206
R157	3.9K	430/1206
R151	1.5K	NC
D105	1N4148	NC

COMPANY	DONGGUAN TRISTAR ELECTRONIC CO.,LTD				
TITLE-SCH	A8X		TITLE-PCB	A7X/A8X-MAIN REV B3 100111	
DRAWN	DATED	CHECKED	DATED	APPROVED	DATED
JZHANG	10.01.11				
FILE NO		SIZE	A3	REV	B3
		SHEET	01	OF	05



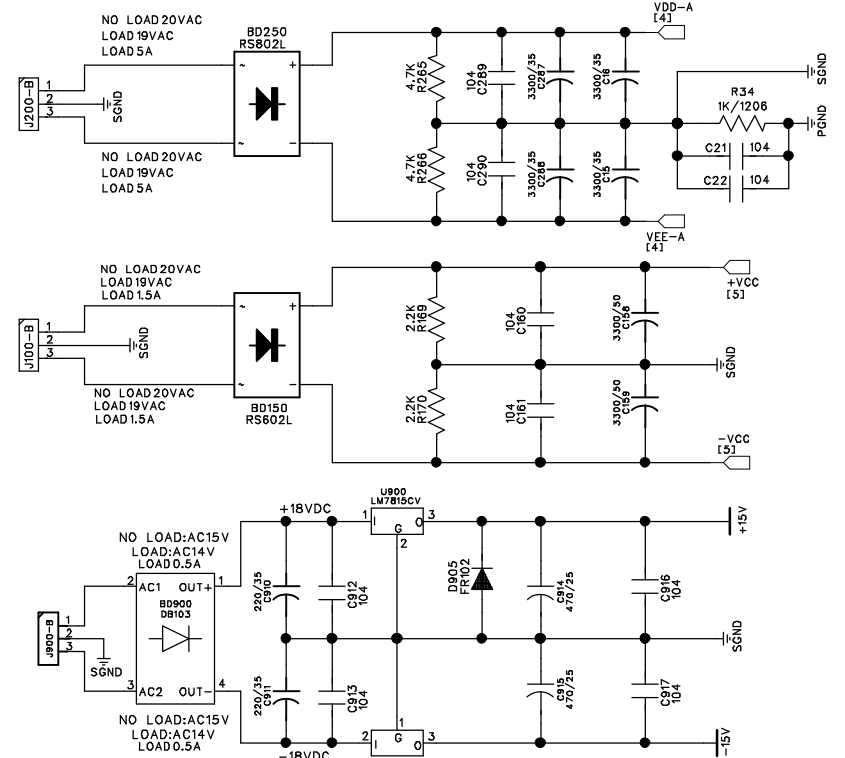
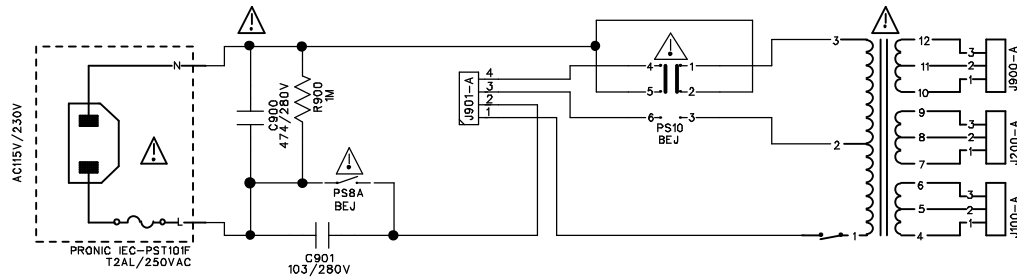
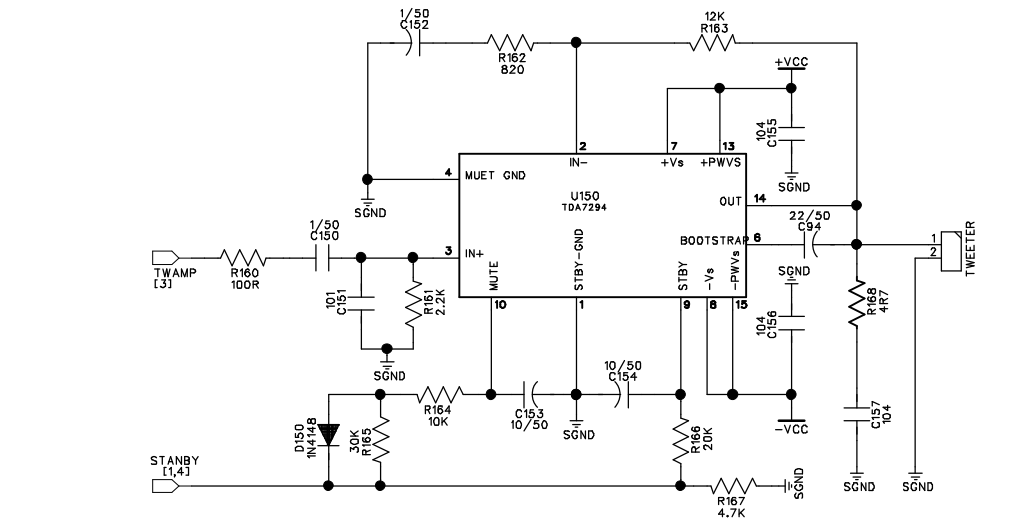
REF-DES	REVBO	REVB1	REF-DES	REVBO	REVB1
R207	OR	1001	C104	470PF	NC
R30		1501	R110	OR	1001
			R114	2001	NC
			C113	2n2	33n
			R115	2001	1871
			R209	3741	5491

COMPANY		DONGGUAN TRISTAR ELECTRONIC CO.,LTD					
TITLE-SCH		A8X		TITLE-PCB		A7X/A8X-MAIN REV3 100111	
DRAWN	DATED	CHECKED	DATED	APPROVED	DATED		
JZHANG	10.01.11						
FILE NO				SIZE	A3	REV	B3
				SHEET	02 OF 05		



REF-DES	REV00	REV01
C118	47UF	1UF
R124	2203	1822
C119	100UF	22UF
R142	10R	470R
R31		1802

COMPANY	DONGGUAN TRISTAR ELECTRONIC CO.,LTD							
TITLE-SCH	A8X			TITLE-PCB	A7X/A8X-MAIN REV03 100111			
DRAWN	DATED	CHECKED	DATED	APPROVED	DATED			
JZHANG	10.01.11							
FILE NO				SIZE	A3	REV	B3	SHEET 03 OF 05



REF-DES	REV B0	REV B1
C151	100PF	47PF
R161	2202	2201
REF-DES	REV B2	REV B3
C914,915	220/25	470/25
change transformer output voltage		

COMPANY	DONGGUAN TRISTAR ELECTRONIC CO.,LTD						
TITLE-SCH	A8X		TITLE-PCB	A7X/A8X-MAIN REV B3 100111			
DRAWN	DATED	CHECKED	DATED	APPROVED	DATED		
JZHANG	10.01.11						
FILE NO		SIZE	A3	REV	B3	SHEET	05 OF 05