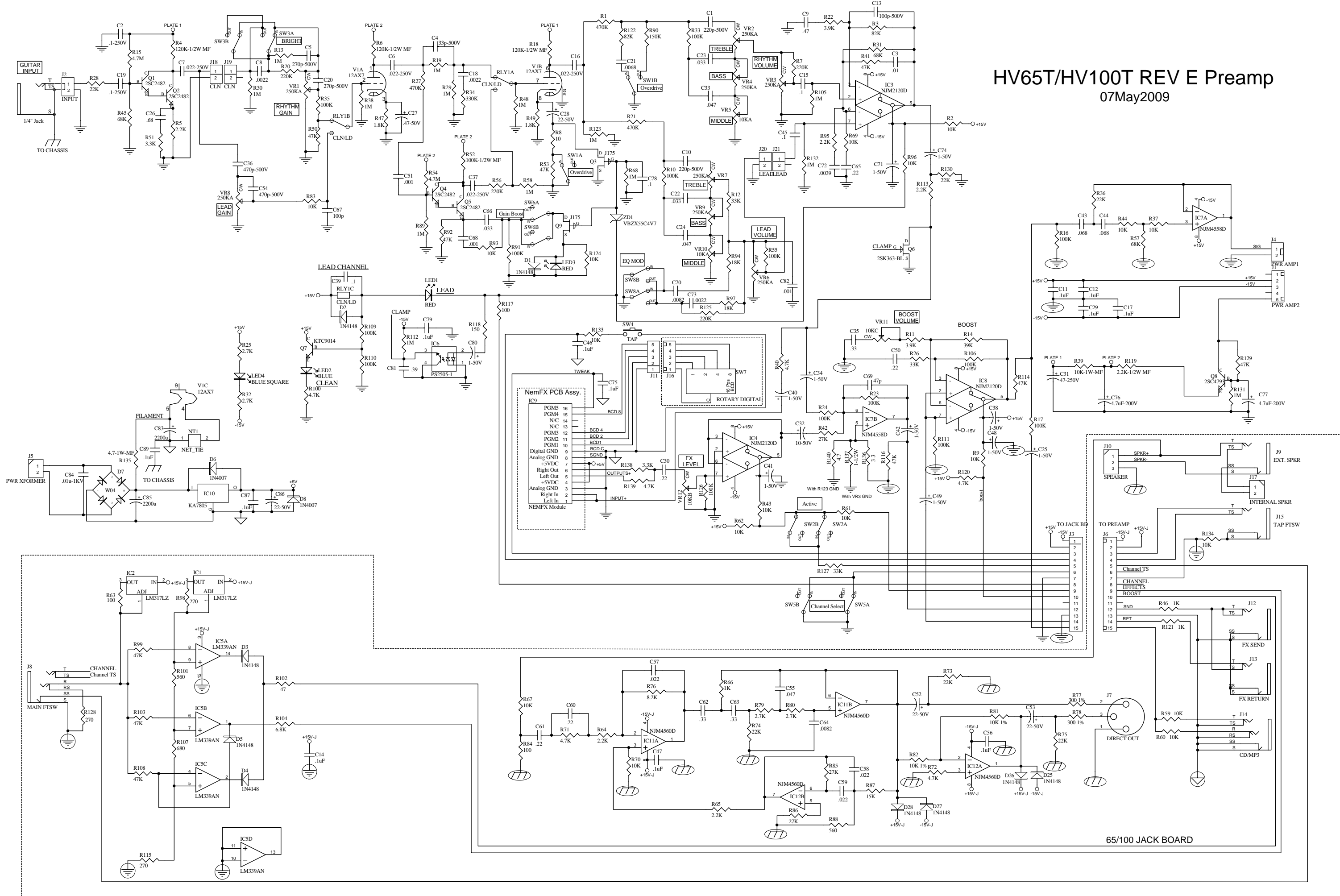


HV65T/HV100T REV E Preamp

07May2009



NemFX PCB Assy

PGM5	16
PGM4	15
N/C	14
N/C	13
PGM3	12
PGM2	11
PGM1	10
Digital GND	9
+5VDC	8
Right Out	7
Left Out	6
+5VDC	5
Analog GND	4
Right In	3
Left In	2
NEMFX Module	1

65/100 JACK BOARD