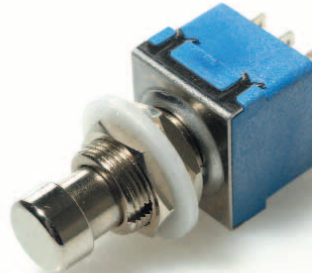


CLIFF

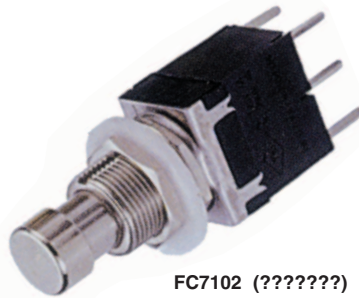
Series 4066 Push Button Switches



FC71055



FC71077



FC7102 (???????)

The **CLIFF**[®] range of Series 4066 Push Button Switches has been designed and manufactured to exacting specifications, incorporating nickel silver plated contacts for long term reliability. Models are available for single and double pole latching or momentary switching and triple pole latching or momentary. Choice of solder tag or vertical PCB mounting contacts. These switches have been life tested to minimum of 20,000 operations. Mounting hardware is supplied unassembled.

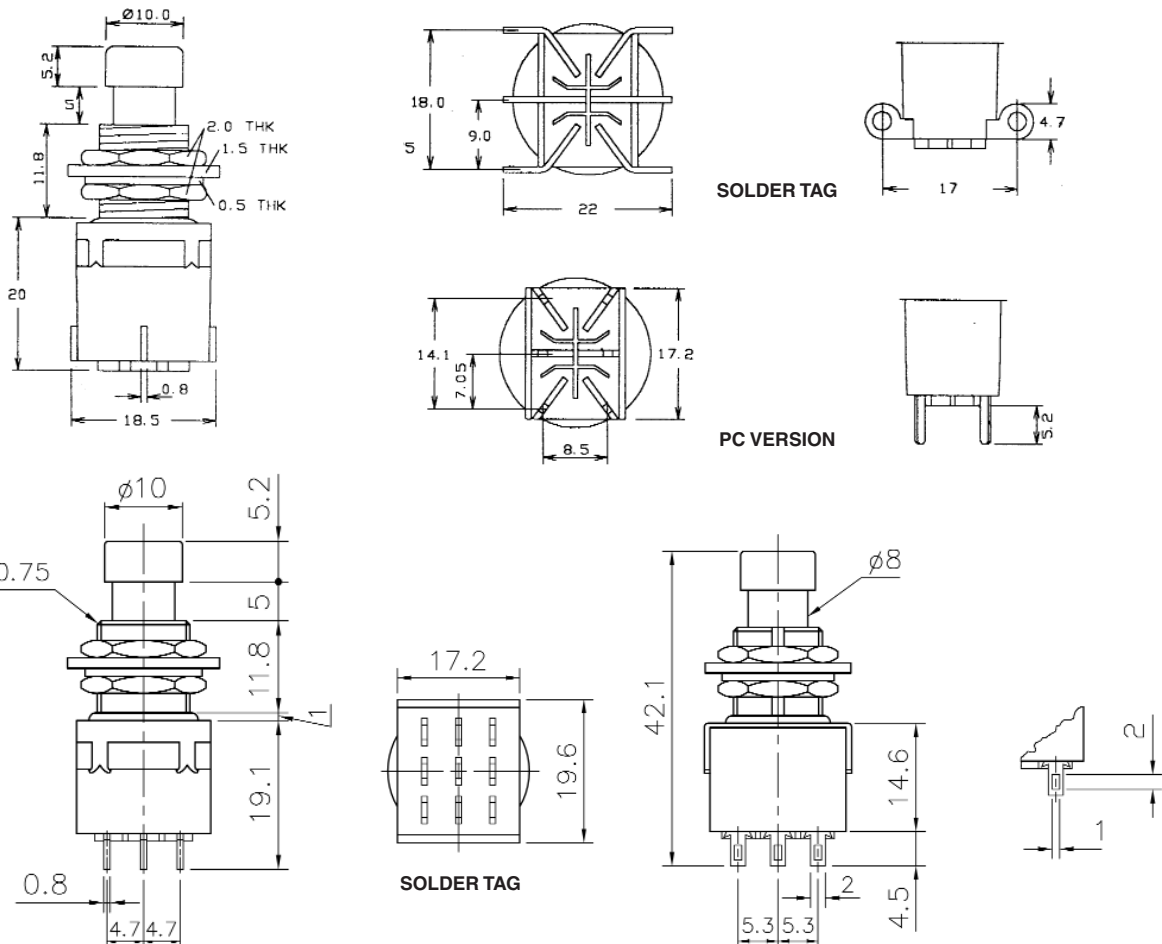
Significant features include:

- Nickel silver plated contacts for long term reliability.
- Single and double pole latching or momentary switching.
- Triple pole latching version.
- Choice of solder tag or vertical PCB mounting contacts.
- Life tested to a minimum of 20,000 operations.
- Tough Nylon body.

Cliff Electronic Components, Inc.
4876 East Second Street,
Benicia, California 94510
Tel: (707) 746 8090
Fax: (707) 746 8092
Email: sales@cliffcomponents.com

Visit us online at:

www.cliffusa.com



Technical Data:

Rated Current & Voltage: 4A 125VAC, 2A 250VAC

Temperature Rating: -20°C to +65°C

Nominal Contact Resistance: <20mΩ max.

Dielectric Strength: AC 1500V for 1 minute

Electrical Life: >20,000 make & break cycles at full load

Insulation Resistance: 500V DC 100mΩ min.

Type	Tag Type	Part Number
SPDT ON/OFF	90° Solder	FC71025
SPDT ON/OFF	PC Type	FC71035
DPDT MOM	90° Solder	FC7105
DPDT ON/OFF	90° Solder	FC71055
DPDT MOM	PC Type	FC7106
DPDT ON/OFF	PC Type	FC71065
TPDT ON/OFF	Solder	FC71077
TPDT MOM	Solder	FC71078