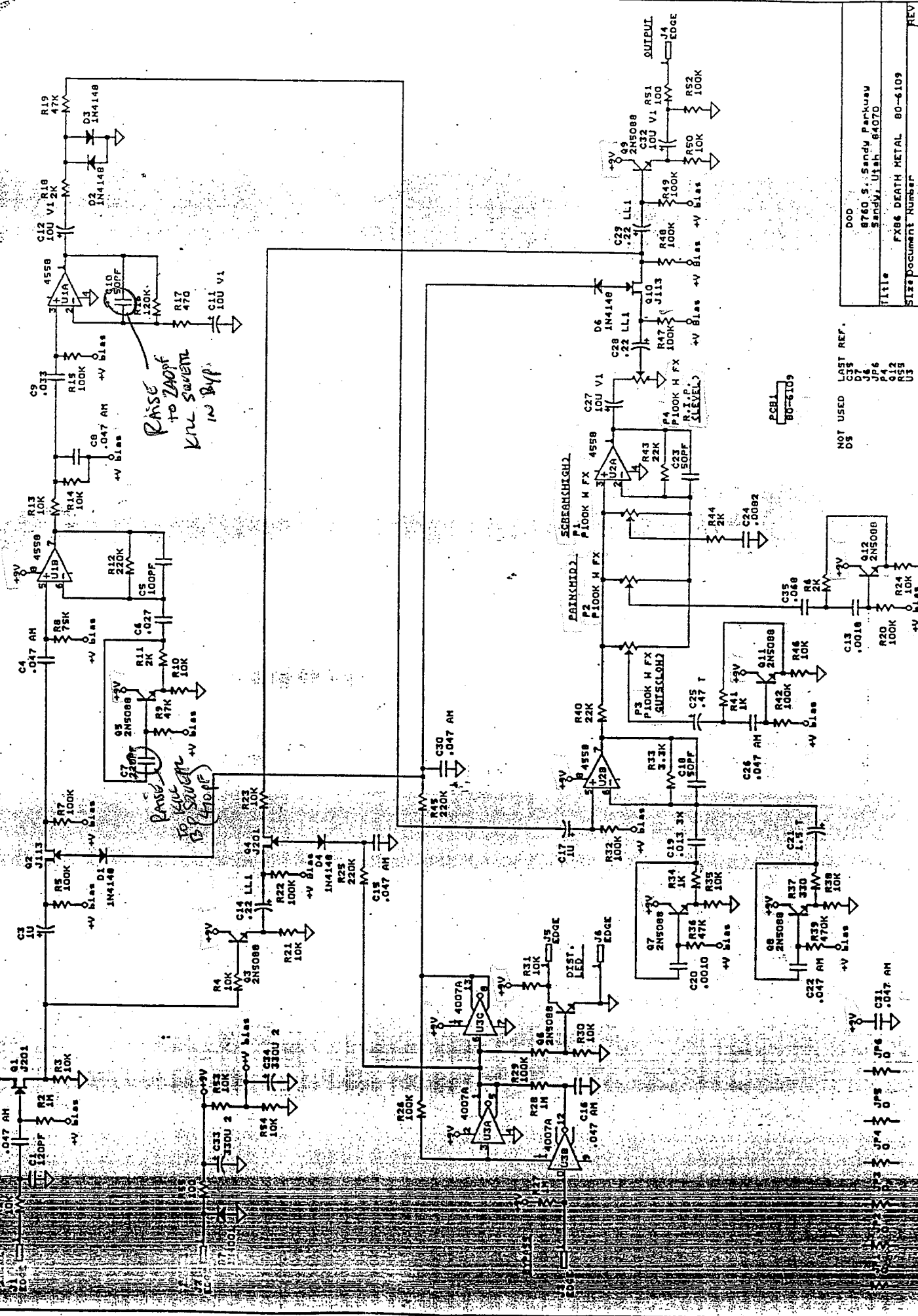


Manufacturing
Original

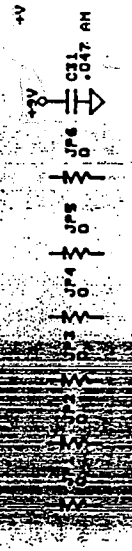


RAISE TO 200pf
KNL SWERT
IN BY

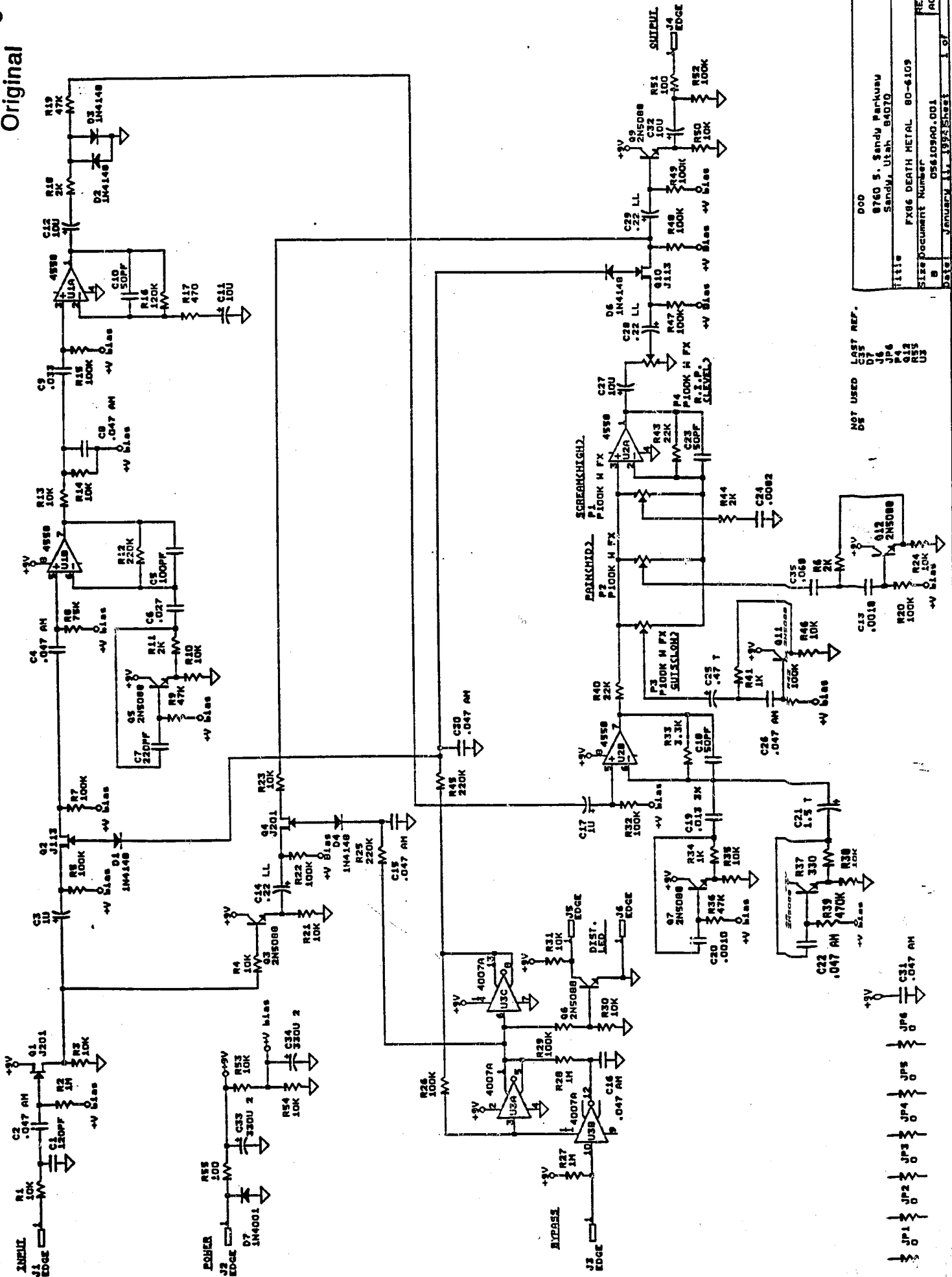
RAISE TO 100pf
BY SWERT

NOT USED LAST REF.
DS
07
J26
P4
Q12
R55
U3

D00	REV
C35	A1
07	
J26	
P4	
Q12	
R55	
U3	
Title	
FX86 DEATH METAL 80-6109	
Size Document Number	
B 056109A1.001	



Manufacturing
Original



NOT USED
D1
D2
D3
D4
D5
D6
D7
J6
J9
P4
P5
U3
U5

LAST REF.
D1
D2
D3
D4
D5
D6
D7
J6
J9
P4
P5
U3
U5

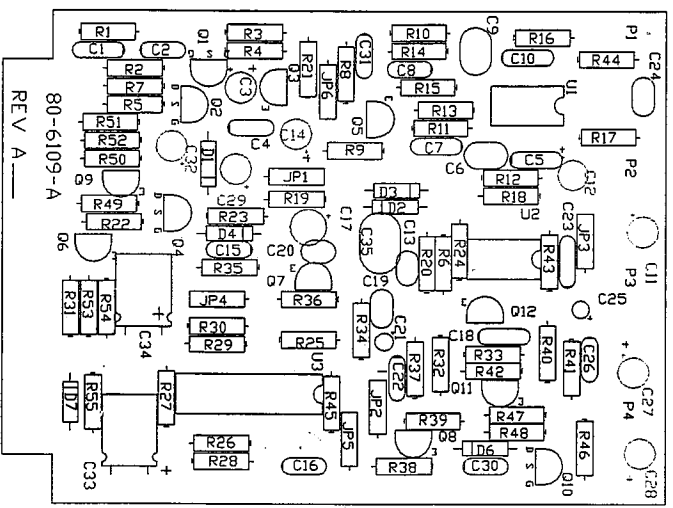
000
9760 S. Sandy Parkway
Sandy, Utah 84070
Title
FX86 DEATH METAL 80-6109
Size Document Number
056109A0.001
REV
A0
DATE
JANUARY 11, 1995

J1 0
J2 0
J3 0
J4 0
J5 0
J6 0
J9 0
P4 0
P5 0
U3 0
U5 0

A B C D E F G H I J

PART #	QTY	DESCRIPTION
60-0039-01	3	.22 LL 16v 5x7
60-0044-01	2	1 uf 50v 5x7
60-0049-01	4	10 uf 16v 5x7
60-0056-01	2	330 uf 16v 8x11

LOCATION
C14, C28, C29
C3, C17
C11, C12, C27, C32
C33, C34



CHECK
CP #1 OF 4



8760 SO. SANDY PARKWAY
SANDY, UTAH 84070
PHONE (801)566-8800

FX86

DOC PREP DWG TITLE	FX86 MB HANDSTUFF INSTRUCTIONS
DATE	07/13/95
TM	
DDO PART NO.	05-6109
DOC NO.	HS6109MB
SHEET ONE	of ONE
REV	A1

FR 86

