

REVISION RECORD			
LTR	ECO NO:	APPROVED:	DATE:

D

C

B

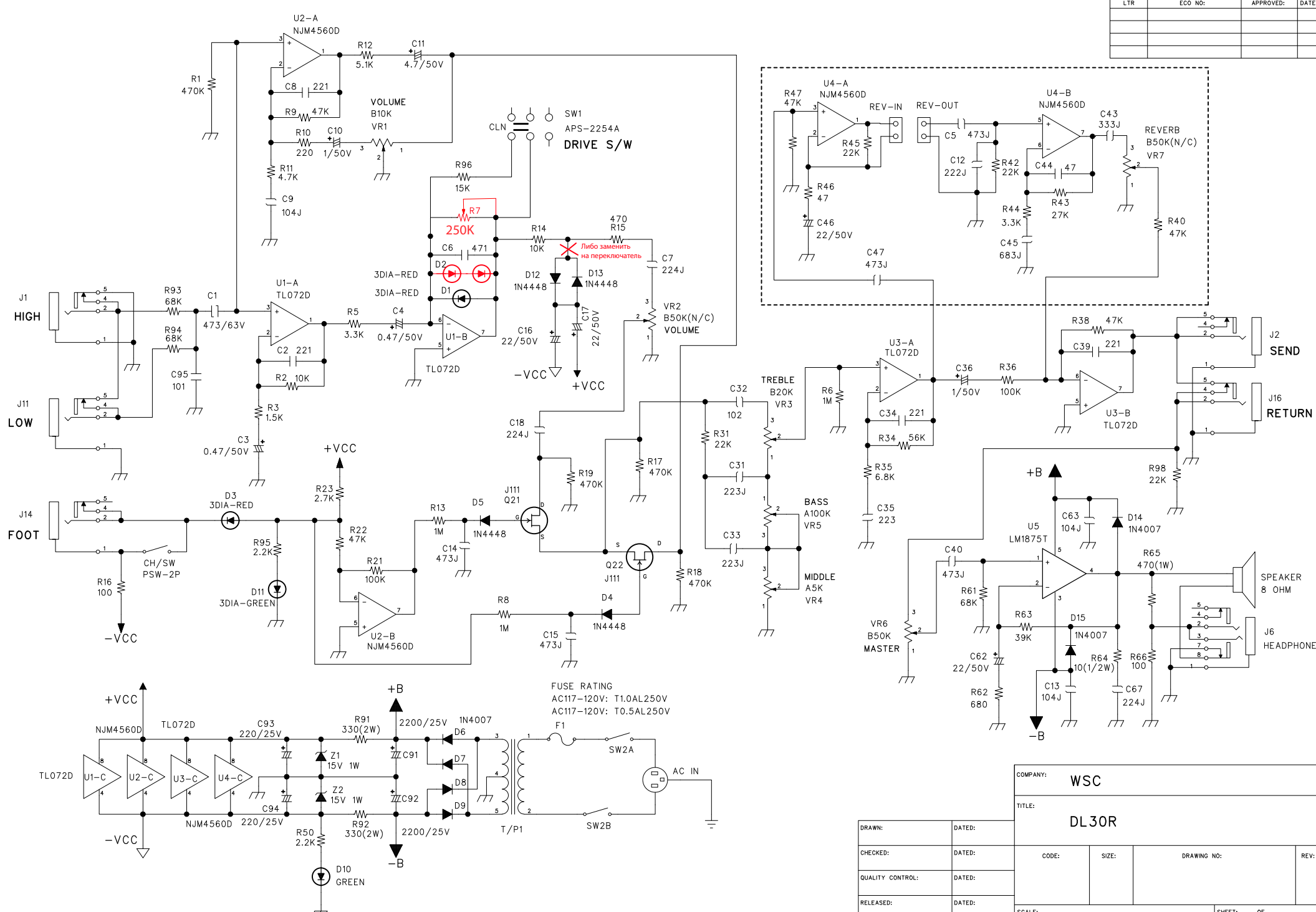
A

D

C

B

A



COMPANY:		WSC		
TITLE:		DL30R		
DRAWN:	DATED:	CODE:	SIZE:	DRAWING NO:
CHECKED:	DATED:			REV:
QUALITY CONTROL:	DATED:			
RELEASED:	DATED:			
SCALE:		SHEET: OF		

FUSE RATING
 AC117-120V: T1.0AL250V
 AC117-120V: T0.5AL250V