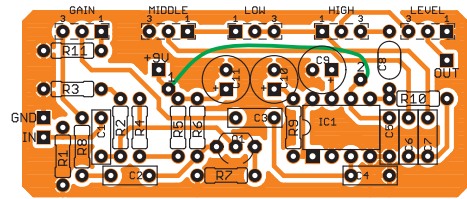
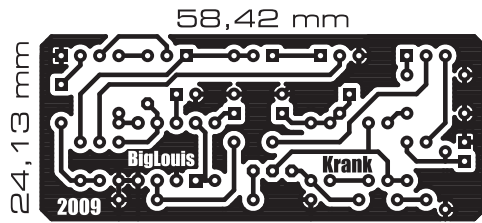


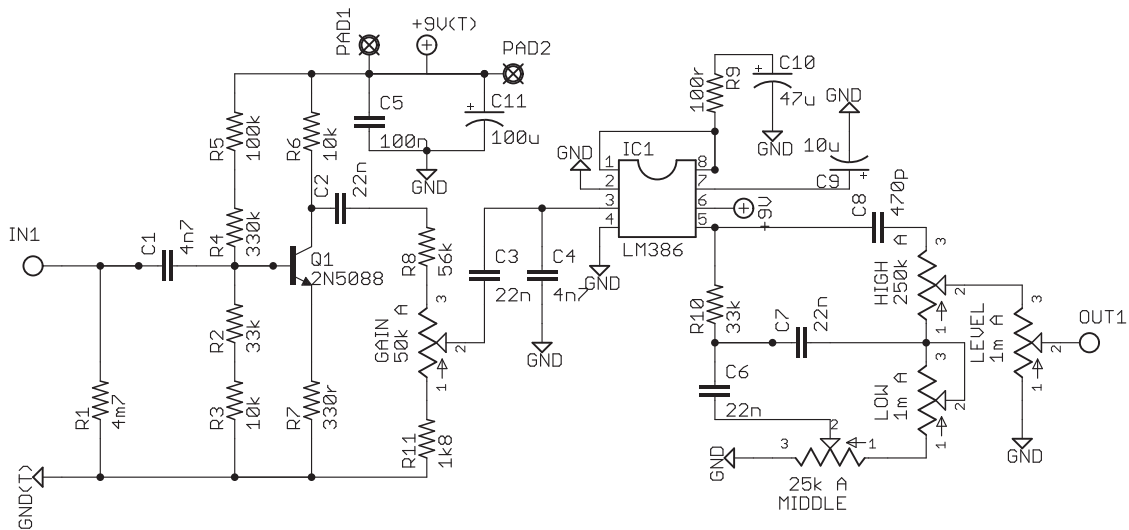
Krank Distortus Maximus

Project by Krank / Layout by Big Louis



R1	4m7	C1	4n7	GAIN	50k A
R2	33k	C2	22n	HIGH	250k A
R3	10k	C3	22n	LEVEL	1m A
R4	330k	C4	4n7	LOW	1m A
R5	100k	C5	100n	MIDDLE	25k A
R6	10k	C6	22n		
R7	330r	C7	22n	Q1	2N5088
R8	56k	C8	470p	IC1	LM386
R9	100r	C9	10u	PAD1*	
R10	33k	C10	47u	PAD2*	
R11	1k8	C11	100u		

* Ligar os Pads 1 e 2 com um fio



Pronto para Transferir/Ready to Transfer

