

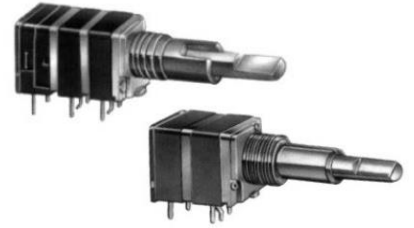
9mm Dual Metal Shaft, Multi-Ganged Series

Application

- ✓ Audio, Home appliance, Automotive, Industrial, etc.

Feature

- ✓ Durable structure with less wobble metal shaft.



■Specification

Total Rotational Angle	300 ± 5°
Maximum Operating Voltage	50V AC
Insulation Resistance	100MΩ Min. at 250V DC
Dielectric Strength	300V AC, 1 minute
Rotational Torque	20 ~ 250 gf.cm
Rotational Stop Strength of the Shaft	4 kgf.cm / Min.
Rotation Life	15,000 cycles

■How to order

RD912DF – 20 B4 – 20F – B50K

Model

Bushing Type

Code	Dimensions	
BLANK	∅7mm	5mm
B3	∅7mm	7mm
B6	∅7mm	10mm
E1	∅9mm	5mm
E3	∅9mm	7mm
E6	∅9mm	10mm

Taper and Resistance Value

Code	Taper	Resistance Value
A100K	Log/A	100KΩ
B1M	Linear/B	1MΩ

Taper: A, B

Resistance Value: 1KΩ to 500KΩ and 1MΩ

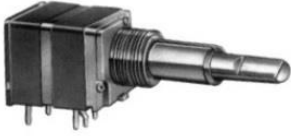
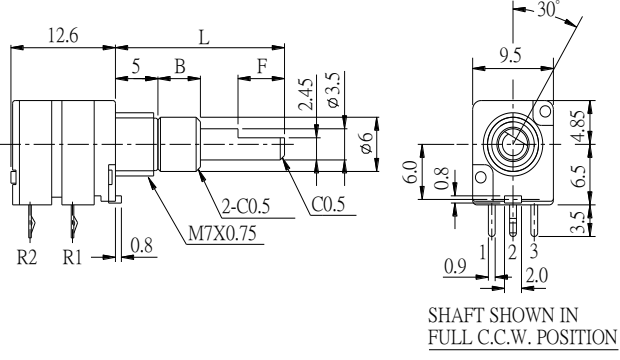
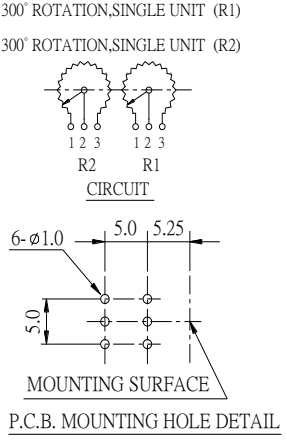
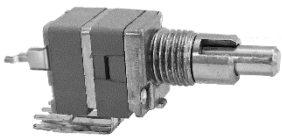
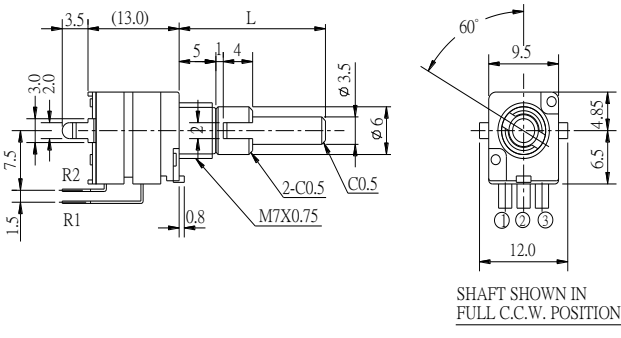
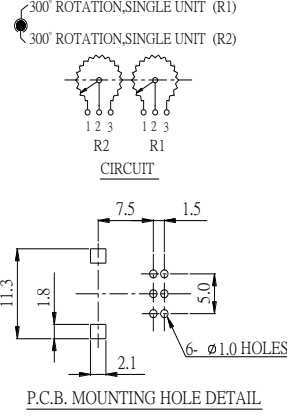
*Contact us for other requirements.

Shaft and Bushing

9mm Dual Metal Shaft, Multi-Ganged Series

Model Description

Model	Number of Unit	With Switch	Terminal Type	With Sleeve or Bushing
RD912DF-20	Dual Unit	Without Switch	Horizontal	Metal bushing
RD912DF-40	Dual Unit	Without Switch	Vertical	Metal bushing
RD912D0PF-20	Dual Unit	Push Switch	Horizontal	Metal bushing
RD912DSF-20	Dual Unit	Rotary Switch	Horizontal	Metal bushing
RD923DF-20	Triple Unit	Without Switch	Horizontal	Metal bushing


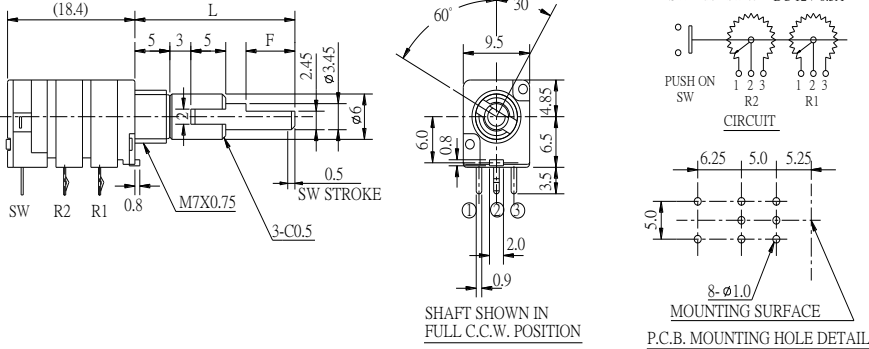

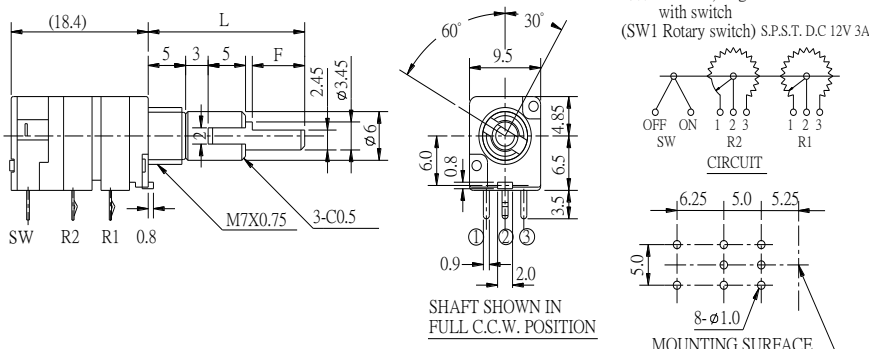

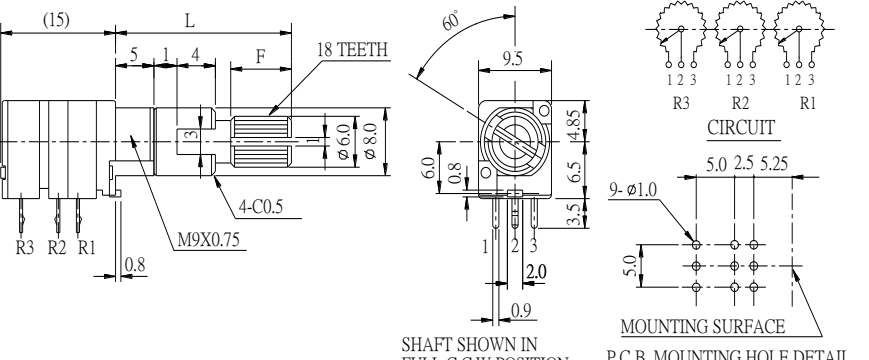
Order Code	Outline Drawing
<p>RD912DF-20</p> 	 <p>SHAFT SHOWN IN FULL C.C.W. POSITION</p>  <p>300° ROTATION, SINGLE UNIT (R1) 300° ROTATION, SINGLE UNIT (R2)</p> <p>CIRCUIT</p> <p>MOUNTING SURFACE</p> <p>P.C.B. MOUNTING HOLE DETAIL</p>
<p>RD912DF-40</p> 	 <p>SHAFT SHOWN IN FULL C.C.W. POSITION</p>  <p>300° ROTATION, SINGLE UNIT (R1) 300° ROTATION, SINGLE UNIT (R2)</p> <p>CIRCUIT</p> <p>P.C.B. MOUNTING HOLE DETAIL</p>

[Back to top](#)

POTENTIOMETERS



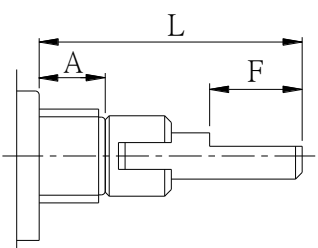
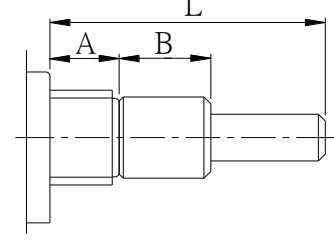
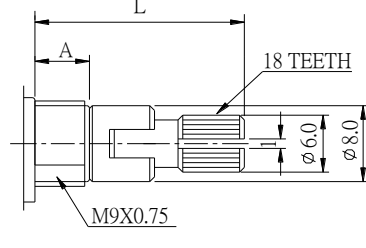
9mm Dual Metal Shaft, Multi-Ganged Series

Order Code	Outline Drawing
<p>RD912D0PF-20</p> 	 <p>300° Rotation, single unit 300° Rotation, single unit with switch SW Push switch DC 12V 0.3A</p> <p>CIRCUIT</p> <p>MOUNTING SURFACE P.C.B. MOUNTING HOLE DETAIL</p>
<p>RD912DSF-20</p> 	 <p>300° Rotation, single unit 300° Rotation, single unit with switch (SW1 Rotary switch) S.P.S.T. DC 12V 3A</p> <p>CIRCUIT</p> <p>MOUNTING SURFACE P.C.B. MOUNTING HOLE DETAIL</p>
<p>RD923DF-20</p> 	 <p>300° ROTATION, DUAL UNIT (R1,R2) 300° ROTATION, SINGLE UNIT (R3)</p> <p>CIRCUIT</p> <p>MOUNTING SURFACE P.C.B. MOUNTING HOLE DETAIL</p>

[Back to top](#)

9mm Dual Metal Shaft, Multi-Ganged Series

■ Shaft and Bushing Dimensions

Order Code	(L)F	(L)R	(L)K
Shaft Type	Flat shaft	Round shaft	18 Teeth knurled
Dimensions			

Design and specifications presented here are for the standard parts only. Please kindly contact us for your special requests and ask for the current technical specifications before purchase and/or use.

[Back to top](#)