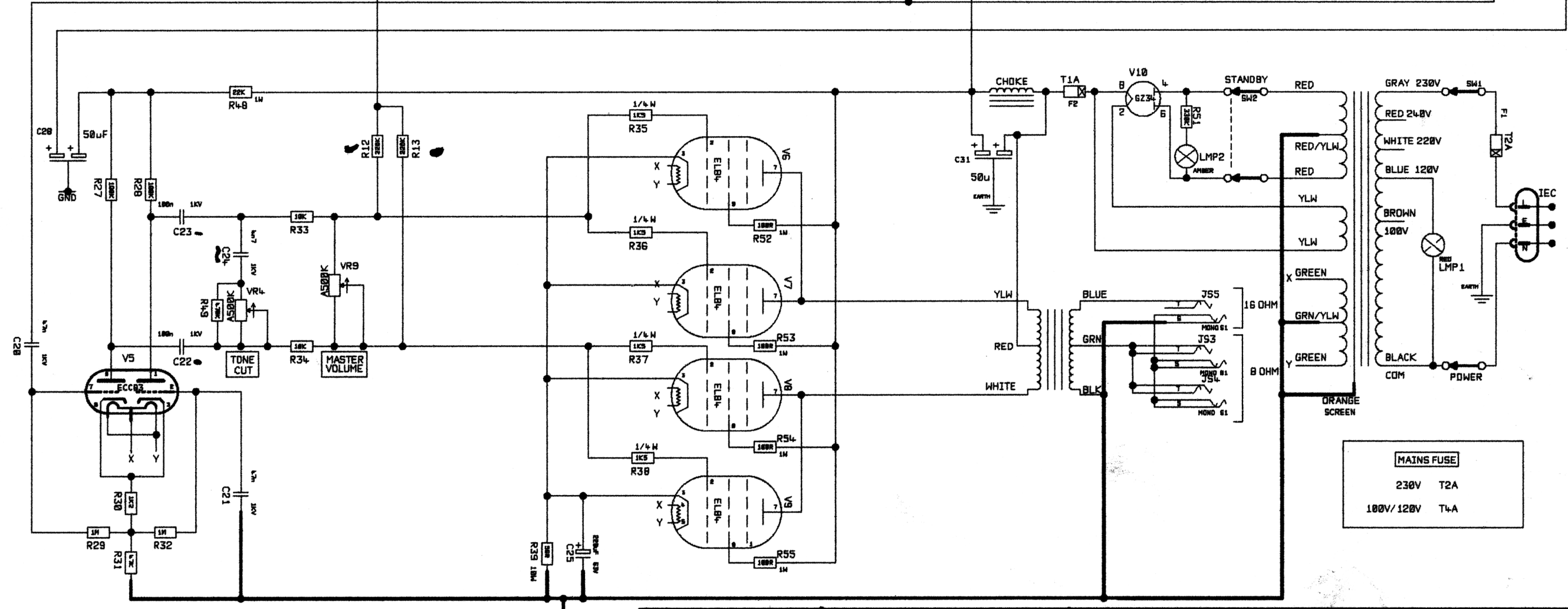
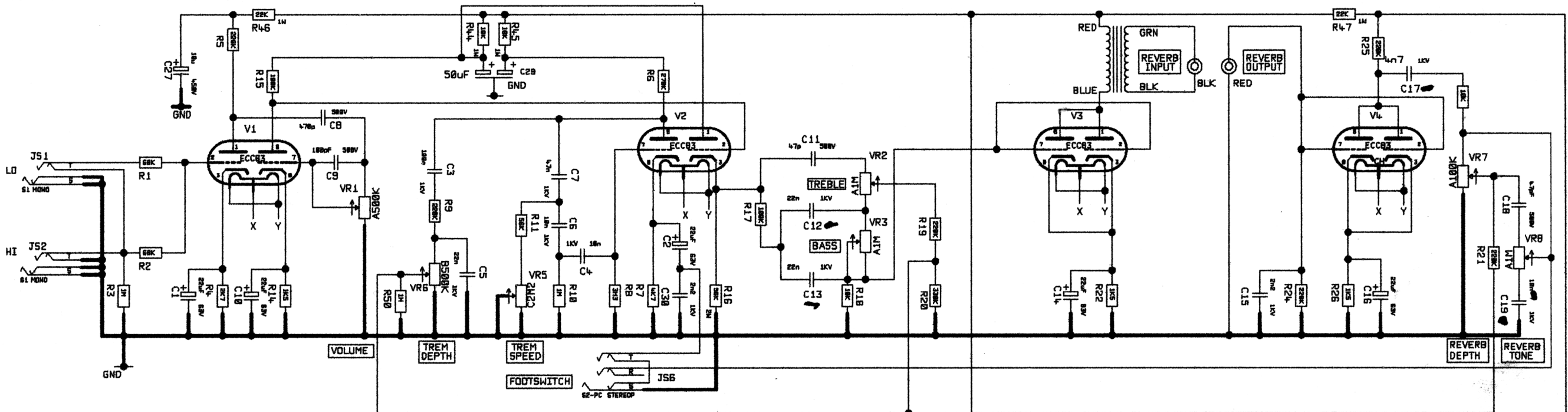


ALL RESISTORS ARE 1/2W UNLESS STATED OTHERWISE



DRAWN MARTIN DATE 15-03-01  
 BALLINGER  
 MODEL  
**VOX AC30 HW**  
 ISS ECO NUMBER DATE

**VOX**

TITLE **VOX AC30 HW**  
**VOX AC30 HWH**  
 DWG.No ISS