

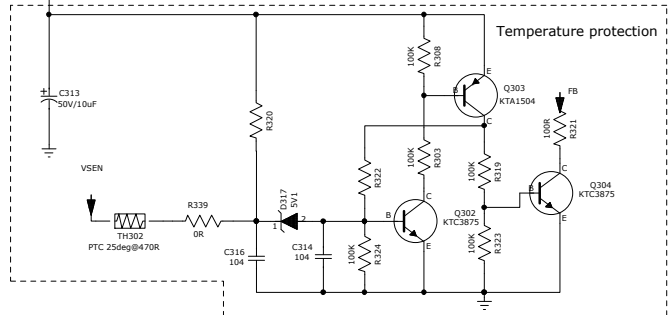
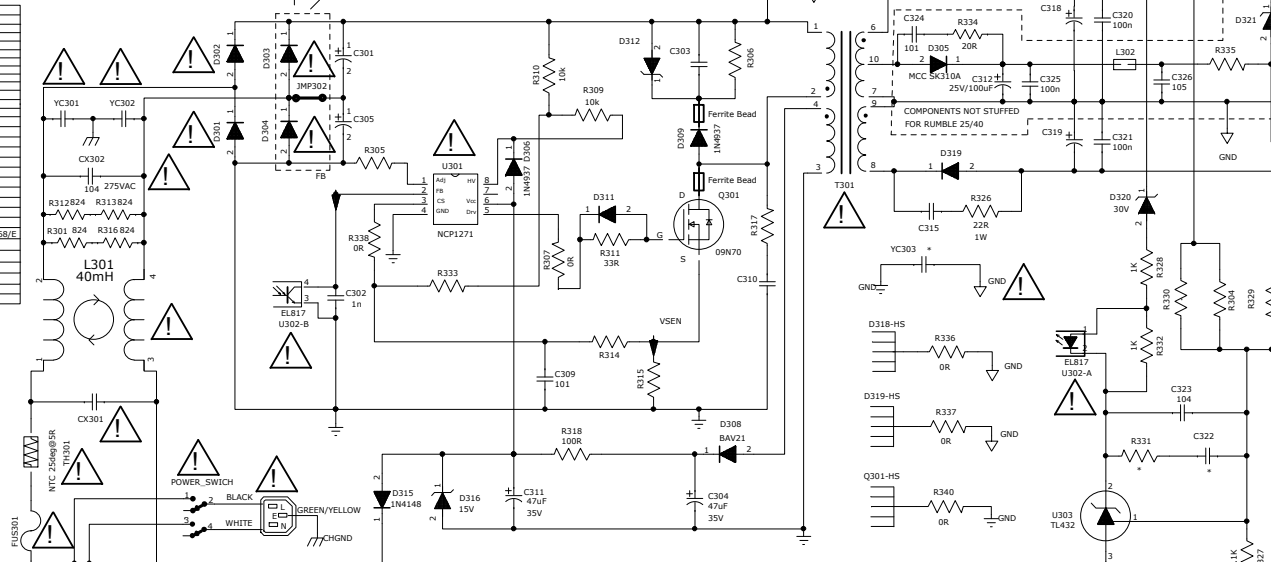
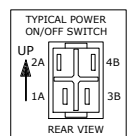
REVISIONS			
REV.	DESCRIPTION	DATE	APPROVED
A	PR2464	01-MAY-2013	dBL

**SWITCH MODE POWER SUPPLY PCB**  
 40W ASSY P/N 2464ICT010 100-120V  
 40W ASSY P/N 2464ICT011 220-240V  
 25W ASSY P/N 2463ICT008 100-120V  
 25W ASSY P/N 2463ICT017 220-240V

INPUT CONFIGURATION FOR USA/JAPAN  
 88VAC - 138VAC 50/60HZ OPERATION  
 DO NOT STUFF D303 D304  
 JMP302 INSTALLED

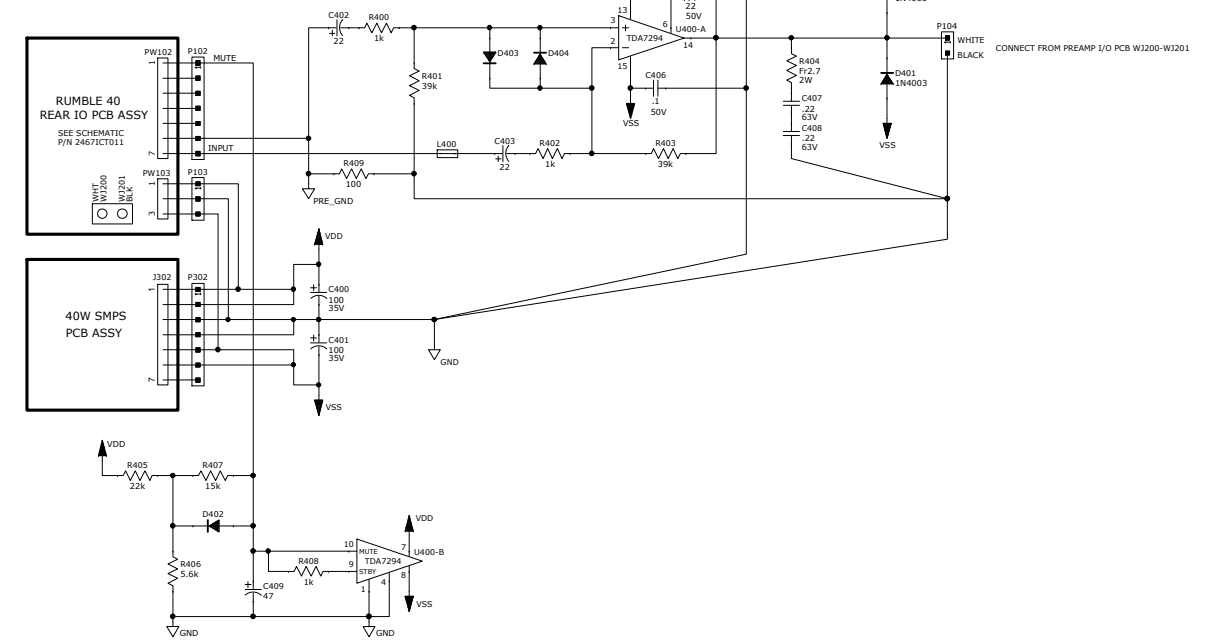
INPUT CONFIGURATION FOR EU/UK/AUS  
 193VAC - 275VAC 50HZ OPERATION  
 D303 D304 INSTALLED  
 JMP302 DO NOT STUFF

NAME	VALUE 25W	VALUE 40W
VCC	+2.5V	+2.5V
VFB	-2.5V	-2.5V
R304	20K	20K
R305	270K	330K
R306	1.5K	1.5K
R307	480K/1W	100K
R317	0.33/2W	0.33/2W
R306	330/2W	75/2W
R330	56K	62K
R314	2.7K	4.7K
R305	2K	1.2K
R333	10K	8.2K
C303	1800P/1KV	1000P/1KV
C318	470U/25V	1000U/25V
C310	47U/15V	100U/15V
C301	180U/200V	330U/200V
C317	C315	1000P/250V
D301	1N4007	BL207
D318	1N4148	ES802
D311	+	ES802
D312	PS4KE200A	PS4KE200A
F302	T3.15A/250V	T3.15A/250V
T301	ES25_VD3659/E	ES28_VD3566/E
YC301	680P/400V	1000P/400V
F303	T3.15A/250V	T3.15A/250V
R335	1K/1W	2.2K/1W
CX301	104/275VAC	224/275VAC
D311	+	1N4148
YC304	1000P/400V	680P/400V
L301	VD3561/E	VD3743/E



3.\*\*= NOT STUFFED FOR RUMBLE 25/40  
 2.\*=OPEN  
 Note:1. SEE MATRIX FOR STUFFING DIFFERENCES  
 (Unless otherwise noted)

**RUMBLE 40 V3 POWER AMP PCB**  
 ASSY P/N 2464ICT012



5. THIS SCHEMATIC IS FOR PCB FABRICATIONS P/N 2464ICT017 (SMPS), 2464ICT013 (PWR) AND PCB ASSEMBLIES P/N 2463ICT008 (SMPS 25W 100-120V), 2463ICT017 (SMPS 25W 220-240V), 2464ICT010 (SMPS 40W 100-120V), 2464ICT011 (SMPS 40W 220-240V), 2464ICT012 (PWR).
  4. ALL DIODES ARE 1N4148 OR 1N4448.
  3. ALL POLARIZED CAPACITORS IN uF, 20%+; 16V MINIMUM.
  2. ALL UNPOLARIZED CAPACITORS IN uF, 10% OR BETTER; 50V MINIMUM. (POWER SUPPLY BYPASS CAPACITORS ARE 20%).
  1. ALL RESISTORS IN OHMS, 5%; 1/10W.
- NOTES: (UNLESS OTHERWISE NOTED)

THIS DOCUMENT CONTAINS INFORMATION OF A PROPRIETARY NATURE TO FENDER MUSICAL INSTRUMENTS AND IS SUBMITTED TO YOU IN CONFIDENCE AND SHALL NOT BE DISCLOSED OR TRANSMITTED TO OTHERS WITHOUT AUTHORIZATION FROM FENDER MUSICAL INSTRUMENTS.

**Fender** MUSICAL INSTRUMENTS  
 Corona, CA U.S.A.

CHECKED BY: \_\_\_\_\_ DATE: 25-MAR-14  
 APPROVED BY: \_\_\_\_\_ DATE: 25-MAR-14  
 DRAWN: D. LEWIS ENGR: D. LEWIS  
 DATABASE FILE: RUMBLE\_SMPS\_PA.SCH

TITLE: SERVICE DIAGRAM, COMBINED (schematic)  
 RUMBLE V3  
 25/40W SMPS + POWER AMPLIFIER  
 SIZE: D DRAWING NUMBER: 2464ICT014 REV. A  
 RELEASE DATE: 22-MAY-12 SHEET: 1 OF 3