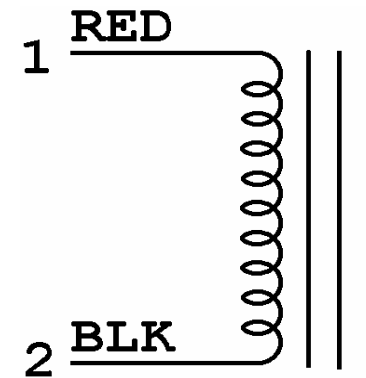
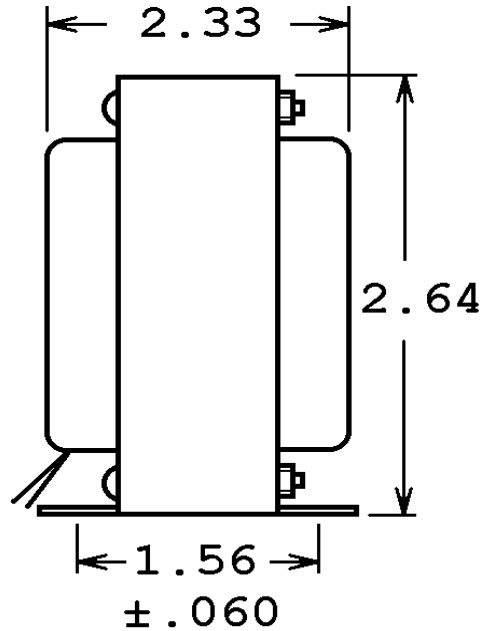
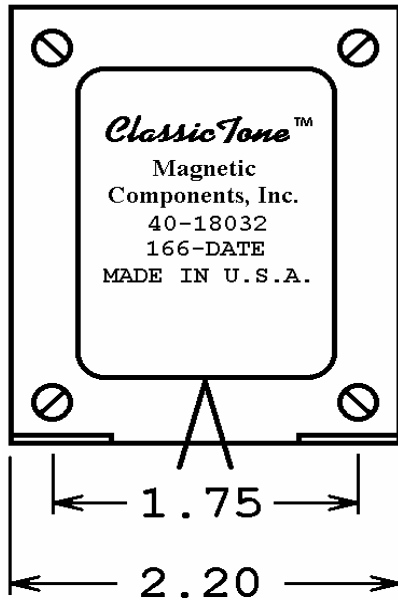


This drawing is the property of Magnetic Components, Inc. and shall not be reproduced, in whole or in part, without the written permission of Magnetic Components, Inc.

REVISIONS

LTR	DESCRIPTION	DATE	APPROVED
A	ADD CLASSICTONE	11/06/09	M.S.



L = 5 Hy @ 120mA DC
D.C.R. = 115Ω

DRAWING No. :
OOA-85203
DIV :
LOC : SCHILLER PK

UNLESS OTHERWISE SPECIFIED		SIGNATURES		DATE	MAGNETIC COMPONENTS, INC.			REV
ALL DIMENSIONS IN INCHES DO NOT SCALE DRAWING		DRAWN : <i>M.S.</i>		07 MAY 09	TITLE 5 Hy MARSHALL CHOKE			REV A
		CHECK :						
FRACTIONS +/-		APPR : <i>M. Schiller</i>		07 MAY 09	CAGE	50508	SIZE	PART No.
.X = +/-							A	40-18032
.XX = +/-								
.XXX = +/-							SHEET :	
ANGLES = +/-					SCALE NONE			