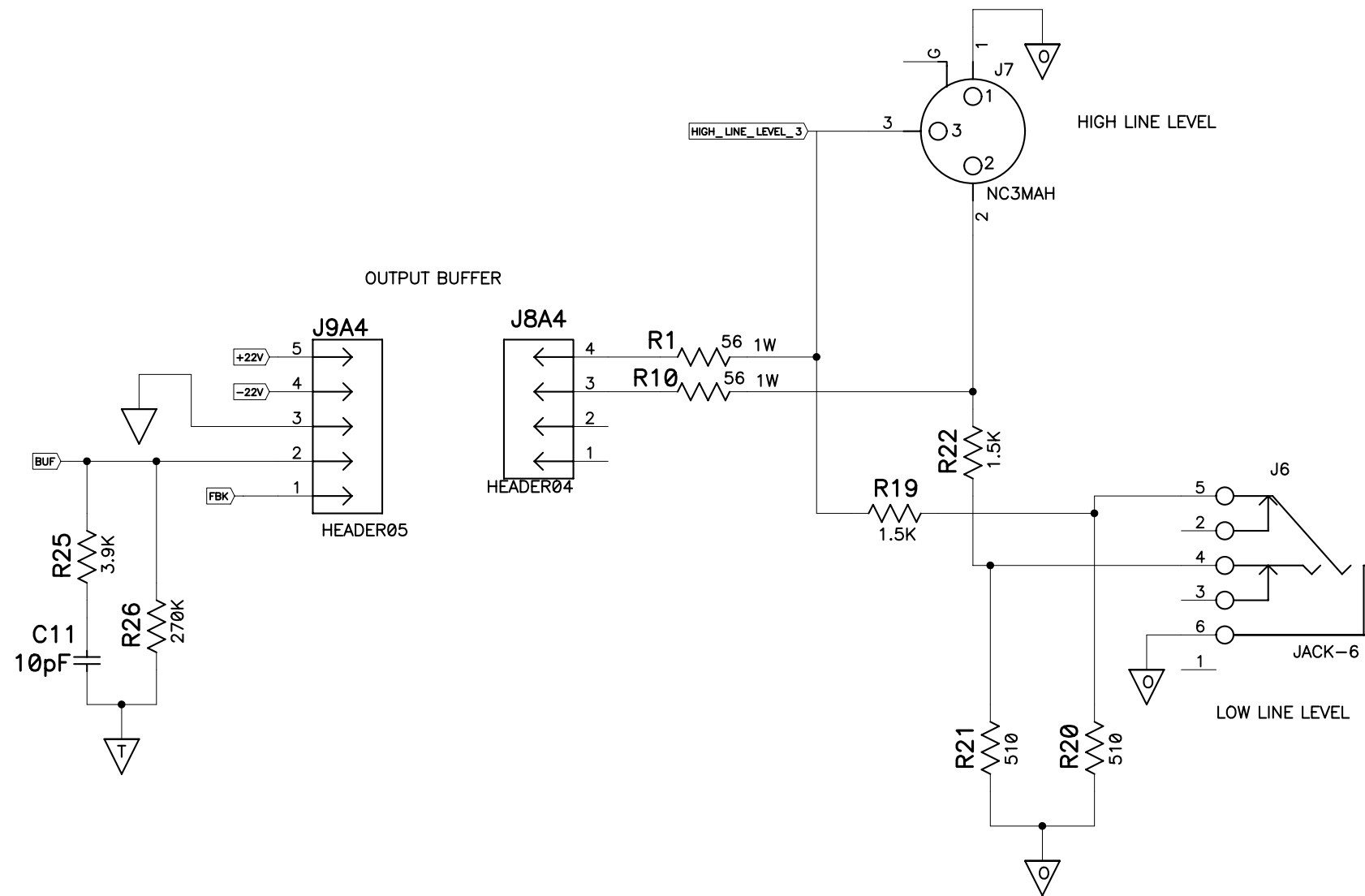


| REVISION RECORD | | | |
|-----------------|-------------|----|------|
| REV | DESCRIPTION | BY | DATE |
| | | | |
| | | | |
| | | | |



| | | | | |
|-----------------------------|-------------|------|--------------|------|
| Company: Summit Audio, Inc. | | | | |
| Title: 2BA – Main | | | | |
| Size | Part Number | Rev: | Dwg Number | Rev: |
| B | 100055-03 | | | |
| Date: | | | Engineer | |
| June 14, 2005 | | | Drawn by rsb | |
| Filename main2BA.SCH | | | Sheet 4 of 6 | |