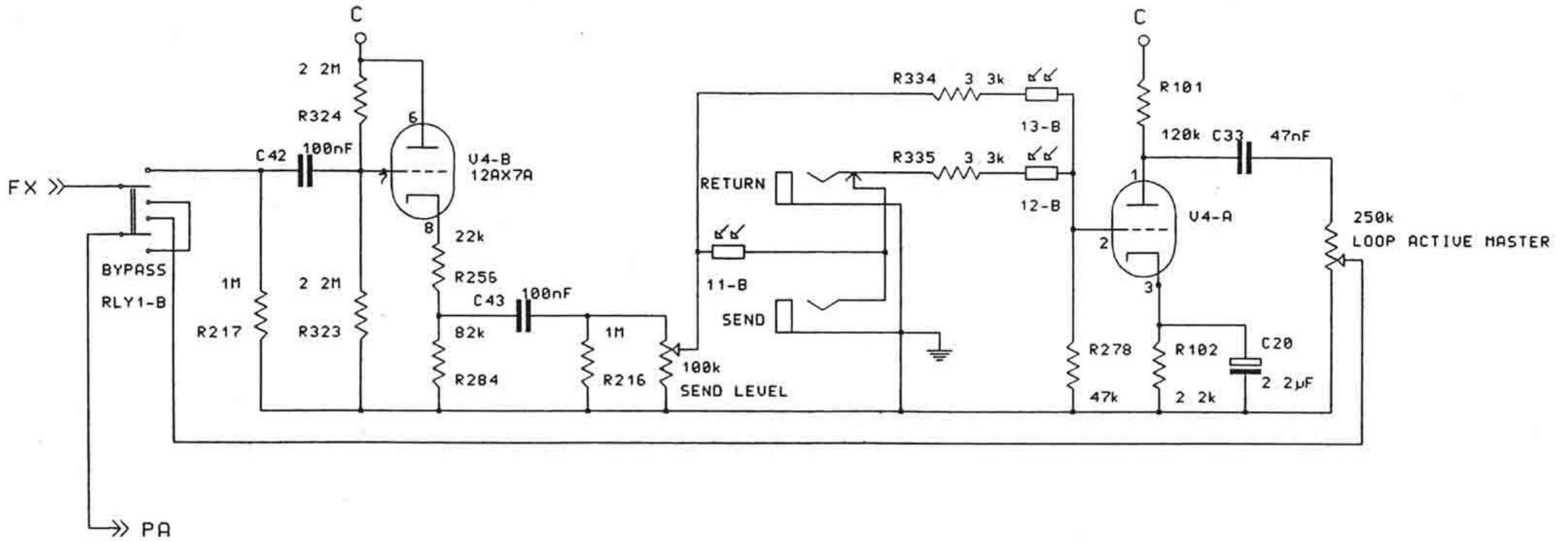
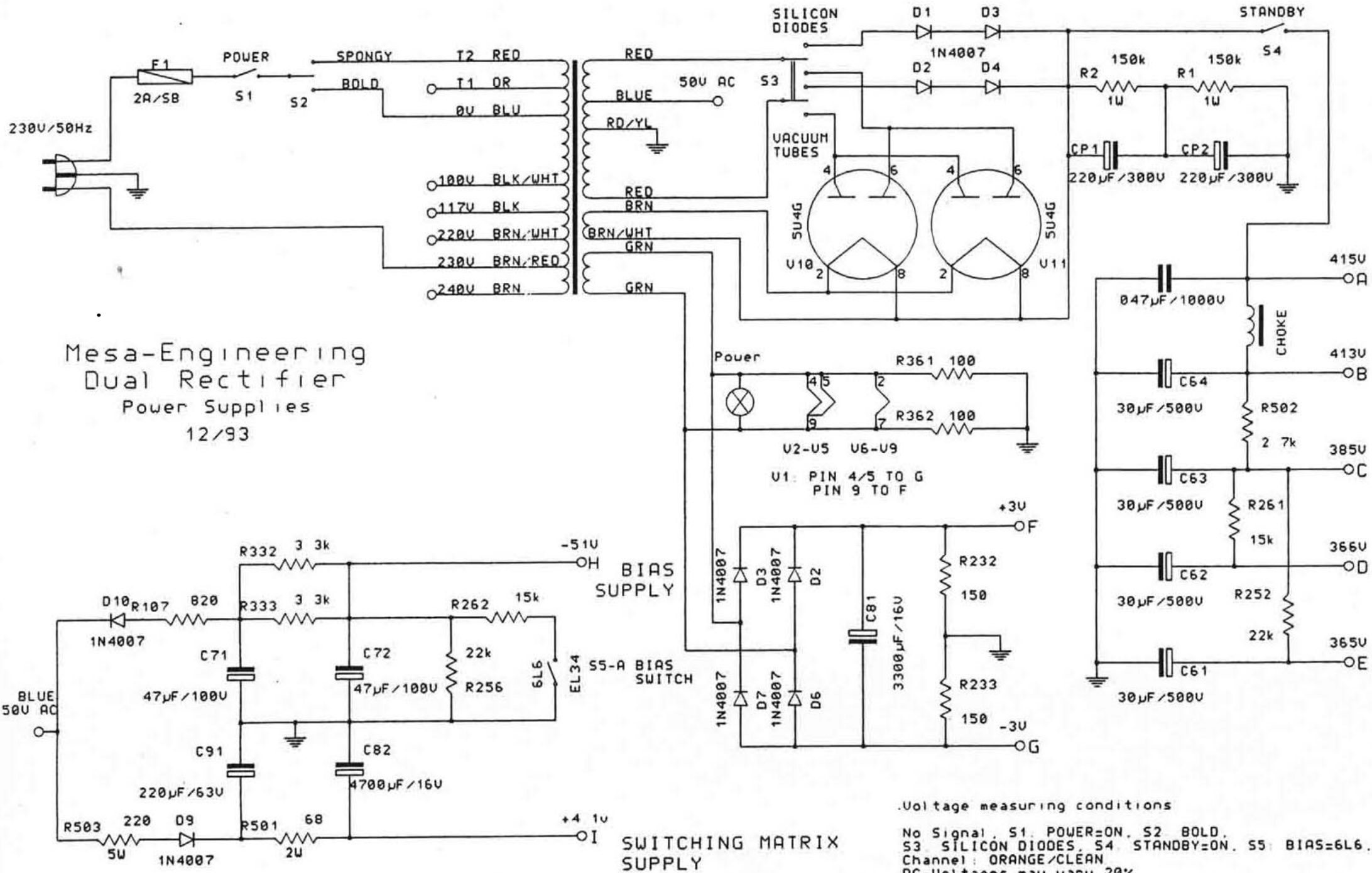
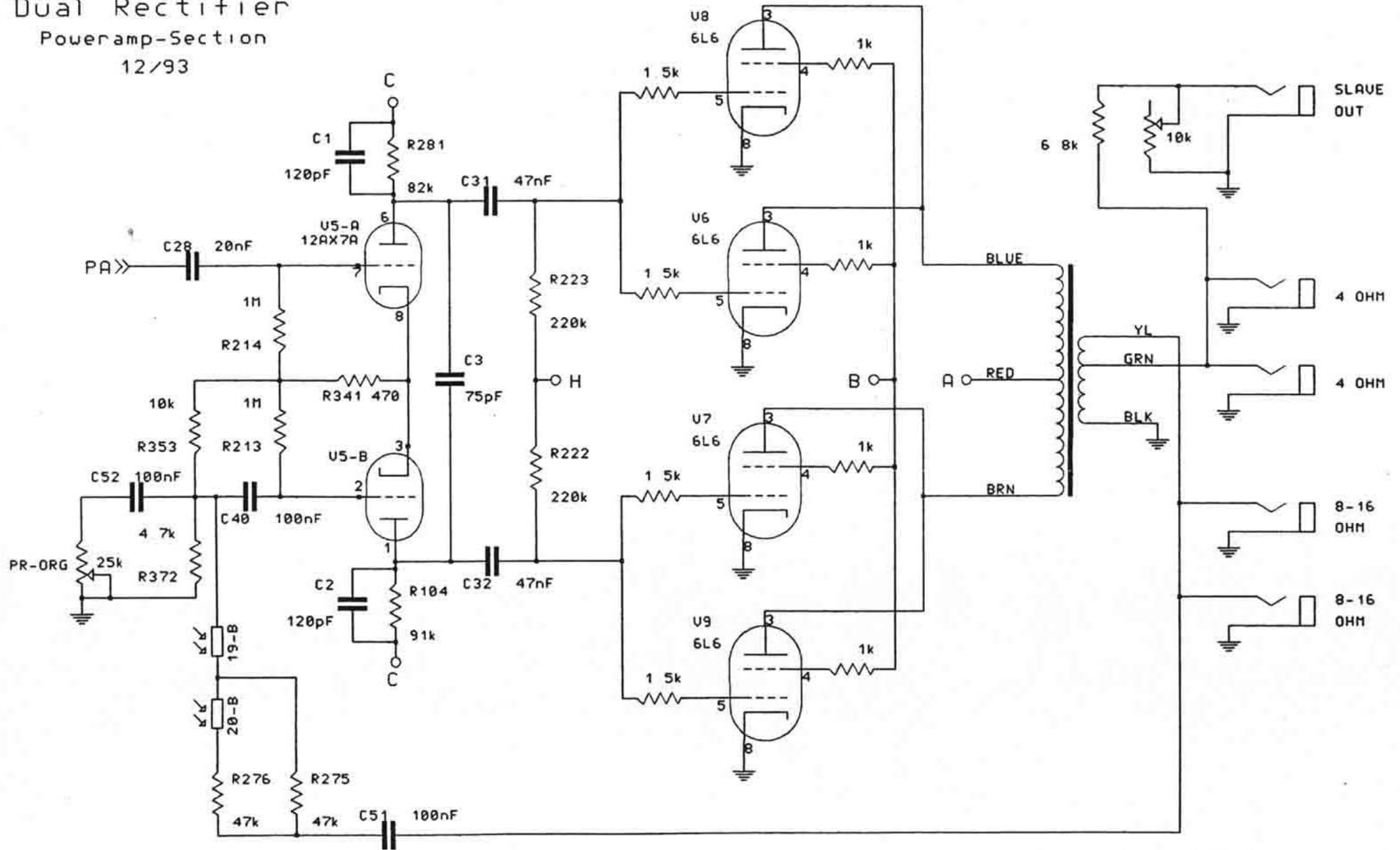


Mesa-Engineering
 Dual Rectifier
 FX-Loop Section
 12/93

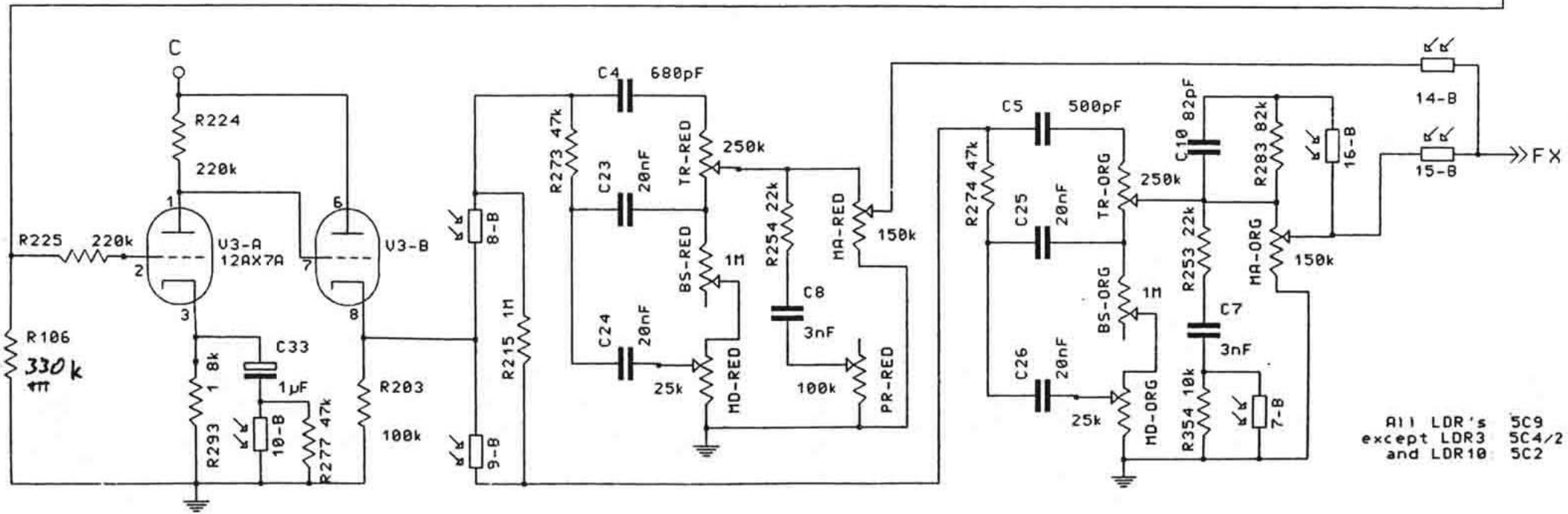
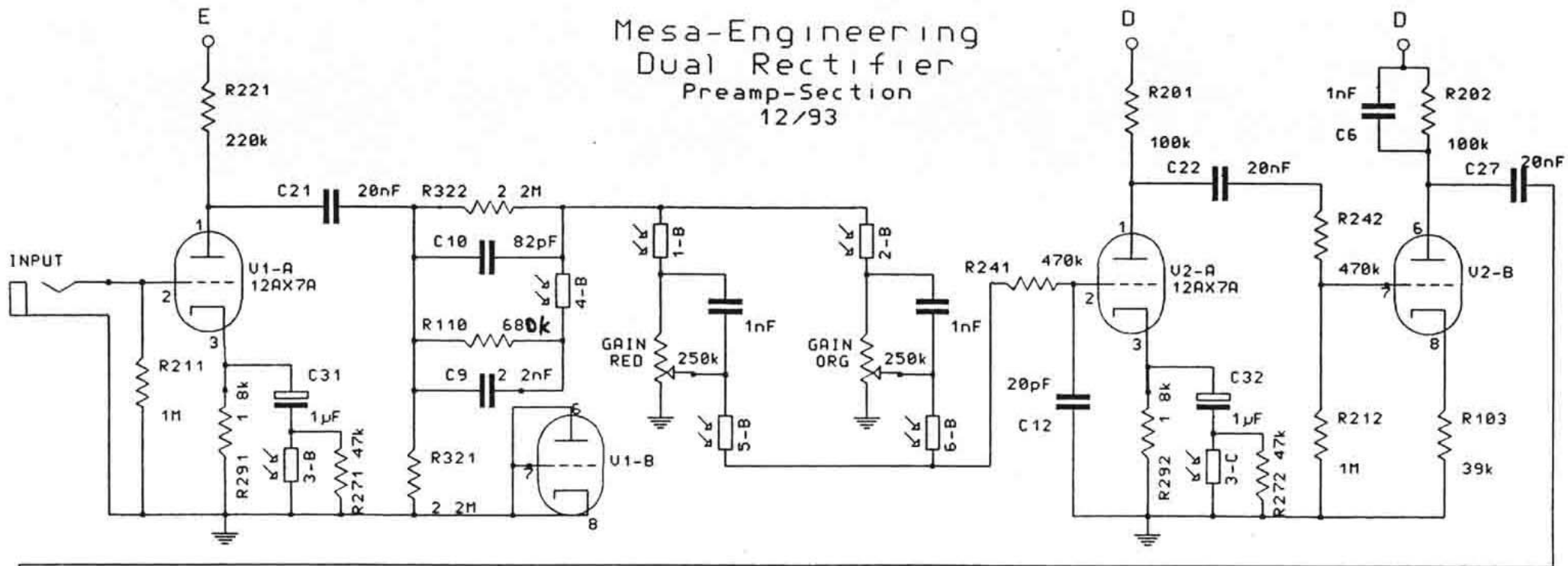




Mesa-Engineering
 Dual Rectifier
 Poweramp-Section
 12/93



Mesa-Engineering Dual Rectifier Preamp-Section 12/93



All LDR's 5C9
except LDR3 5C4/2
and LDR10 5C2

