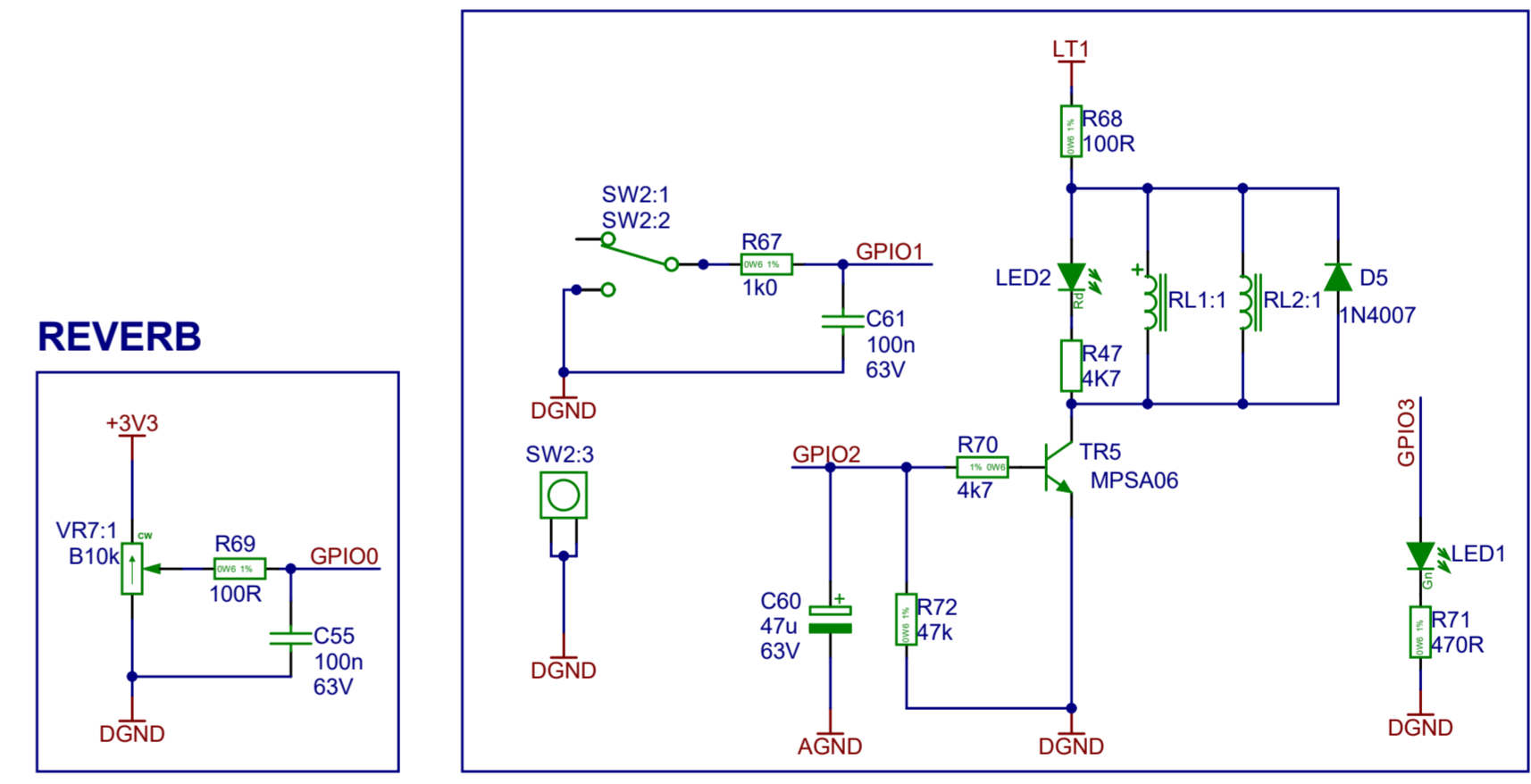
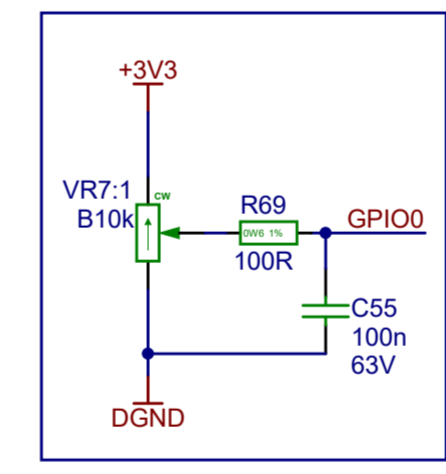


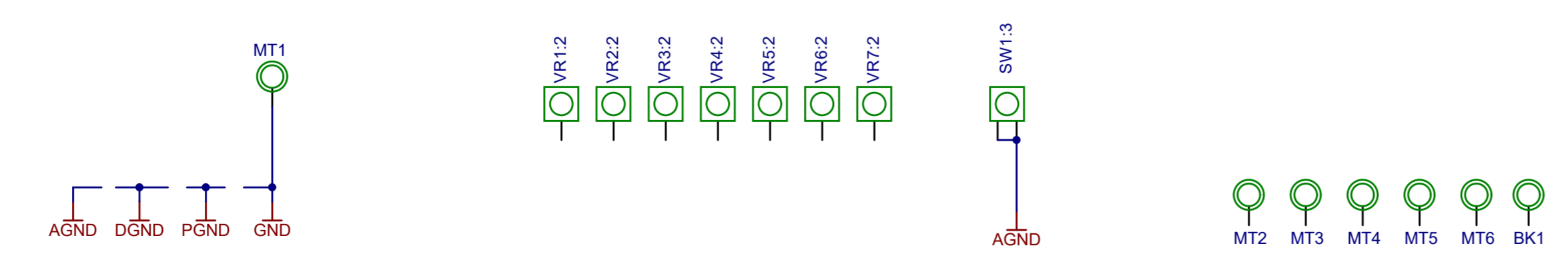
CHANNEL SWITCHING



REVERB



7	Value changes after evaluation	13-09-16
6	Schematic/ PCB Update P.G.S	30-06-16
5	Update PGS	08-02-16
ISS	ECO NUMBER	DATE



MATERIAL		DIMENSIONS IN mm	
MATERIAL THICKNESS		TOLERANCE (UNLESS OTHERWISE STATED)	
DRAWN A.C.S.	DATE 02.09.2016	HOLE DIA = +/- DIMENSIONAL = +/-	
CHECKED JEM	DATE 26.09.16	MODEL DSL1MKII	
APPROVED ?	DATE ?		

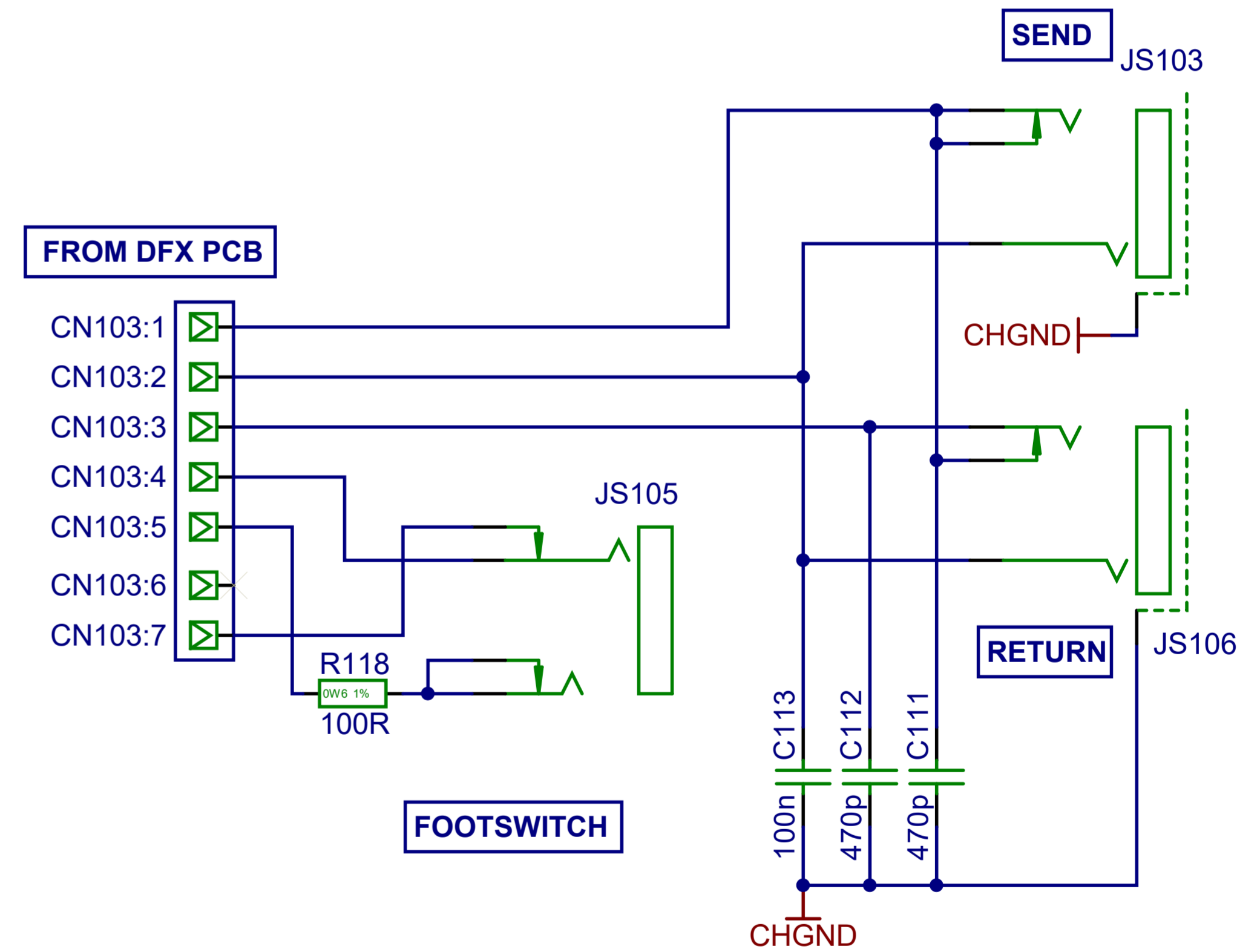
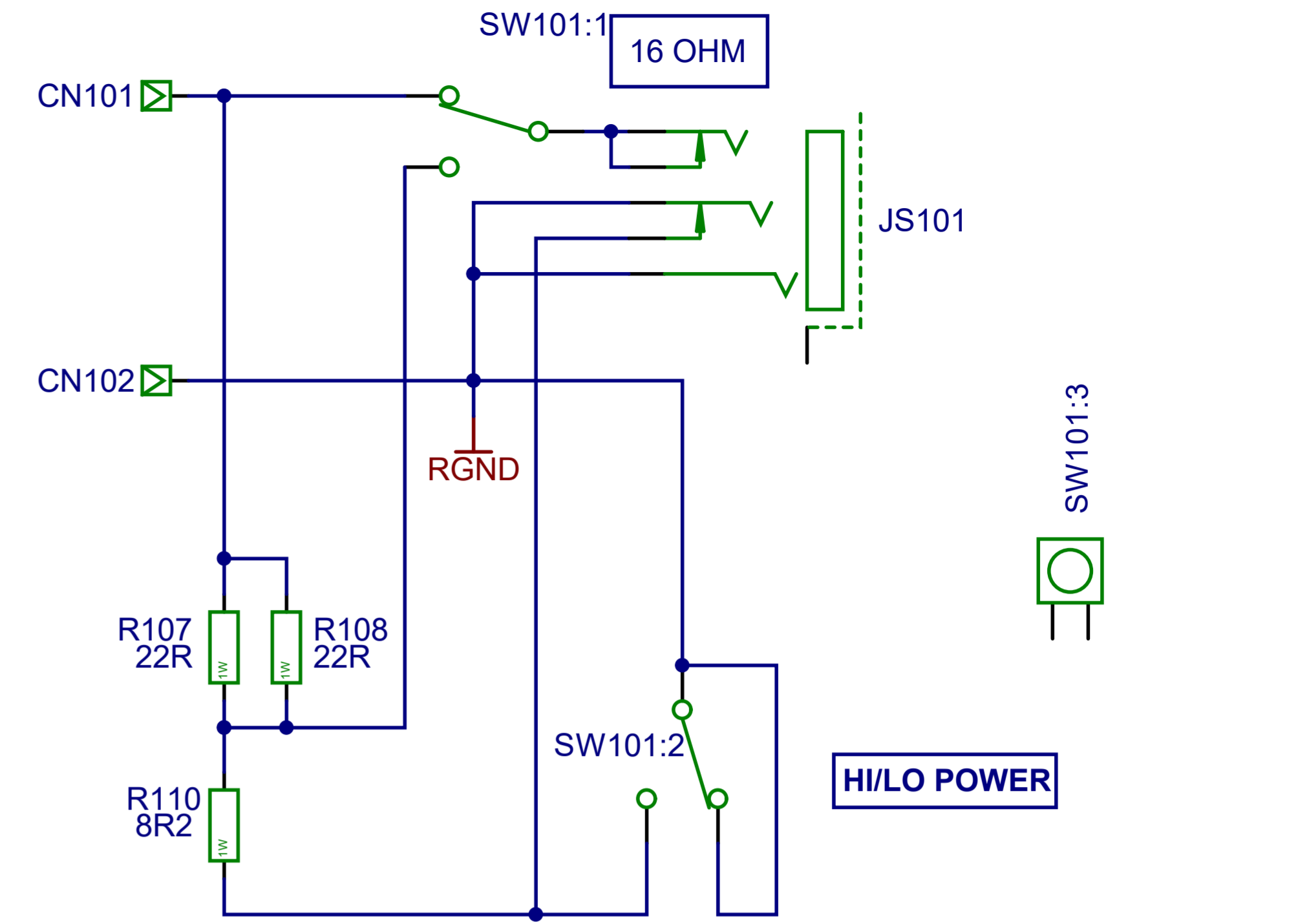
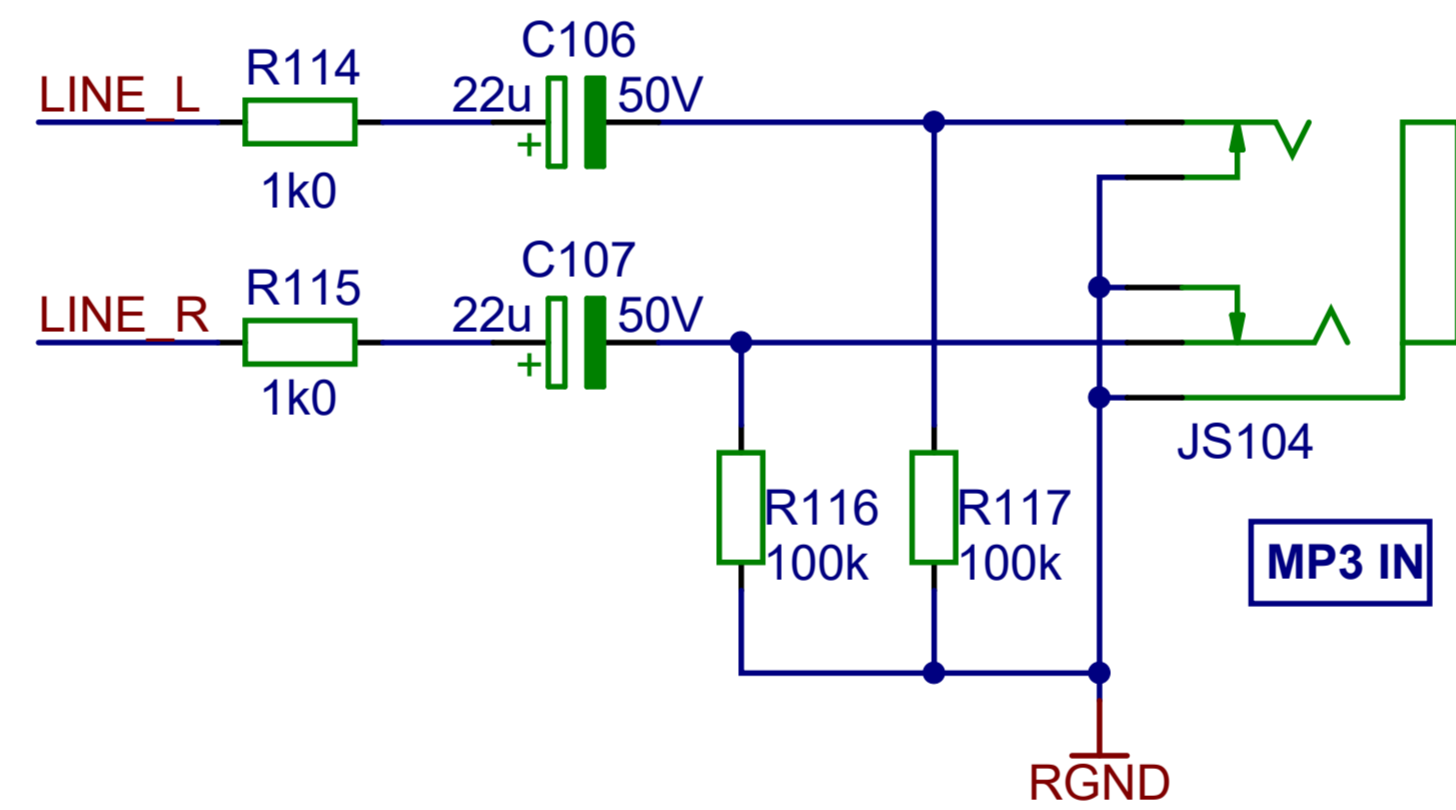
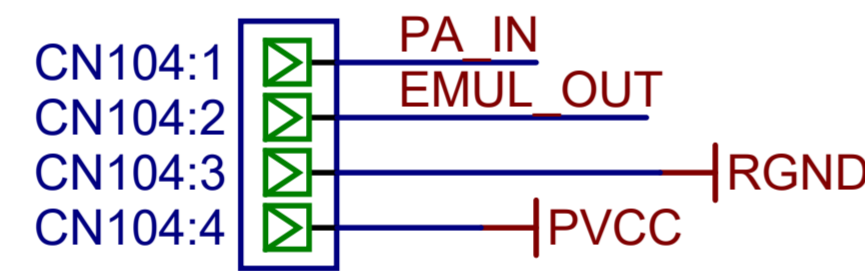
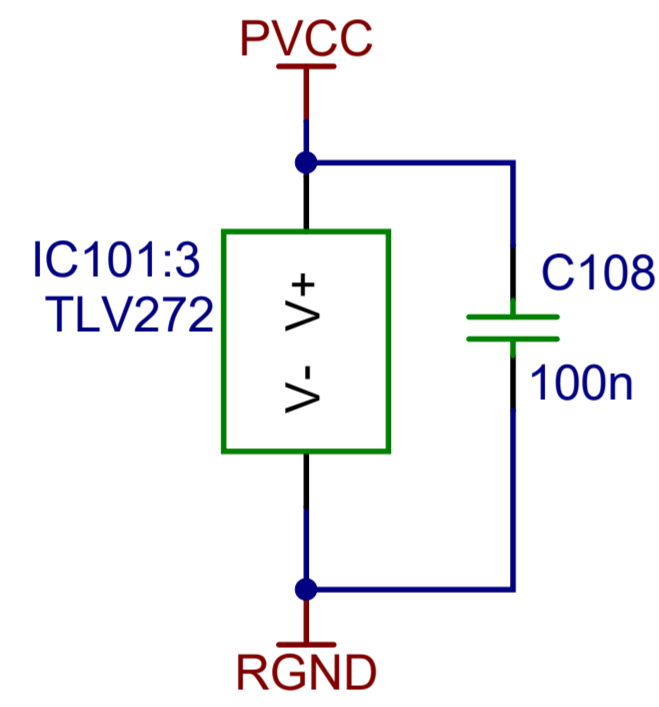
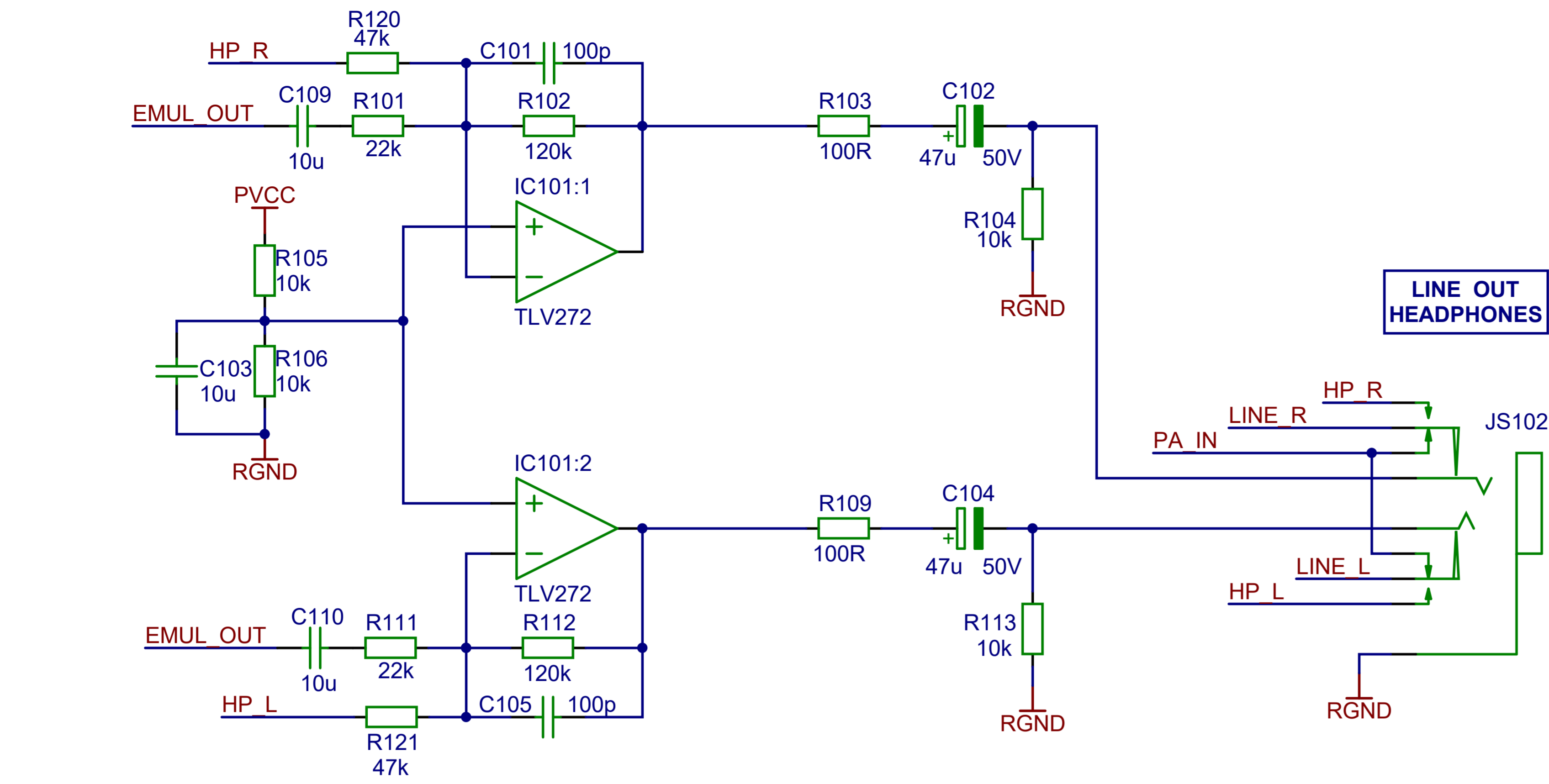
Marshall TITLE MAIN PCB

© MARSHALL AMPLIFICATION PLC
DENBIGH ROAD, BLETCHLEY, MILTON KEYNES, MK1 1DQ.
TEL (01908) 375411 FAX (01908) 376118

DWG. No. DSL1M2-60-02 ISS 7 Sheet 1 of 1

File: DSL1M2-60-02-V7.SchDoc Date: 15/11/2016

DWG. No. DSL1M2-61-02



			MATERIAL	DIMENSIONS IN mm	
			MATERIAL THICKNESS	TOLERANCE (UNLESS OTHERWISE STATED)	
7	Sch/PCB Update A.C.S	13-09-16	DRAWN A.C.S.	DATE 02.09.2016	HOLE DIA = +/- DIMENSIONAL = +/-
6	Sch/PCB Update P.G.S	30-06-16	CHECKED J.E.M	DATE 26.09.16	MODEL DSL1 MKII
ISS	ECO NUMBER	DATE	APPROVED ?	DATE ?	

Marshall

© MARSHALL AMPLIFICATION PLC
DENBIGH ROAD, BLETCHLEY, MILTON KEYNES, MK1 1DQ.
TEL (01908) 375411 FAX (01908) 376118

File: DSL1M2-61-02-V7.SchDoc

TITLE Rear PCB		
DWG. No. DSL1M2-61-02	ISS 7	Sheet 1 of 1
Date: 15/11/2016		