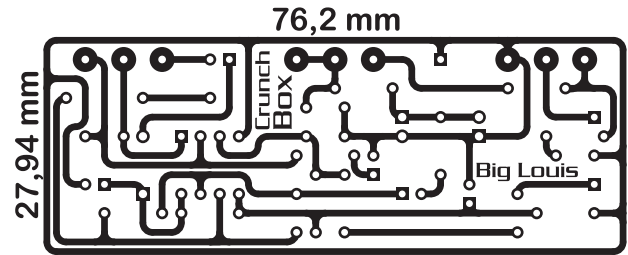
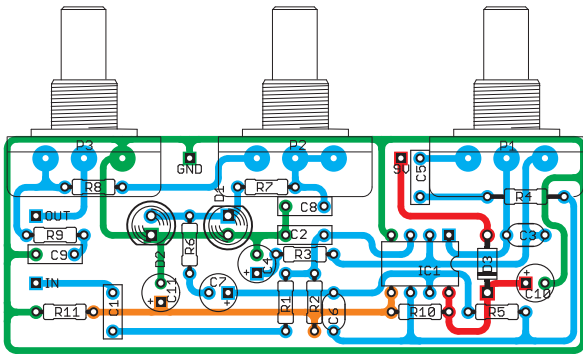


# MJ Audio Crunch Box

Layout by Big Louis - 01/12/2008



R1	1k	C1	22nF	D1	LED
R2	1M	C2	1nF	D2	LED
R3	1k	C3	100pF	D3	1N4001
R4	10k	C4	0.22uF	IC1	LM833
R5	1M	C5	100nF	P1	100k A
R6	1k	C6	100pF	P2	10k C
R7	100R	C7	2.2uF	P3	100k A
R8	10k	C8	39nF		
R9	4k7	C9	22nF		
R10	22k	C10	100uF		
R11	22k	C11	100uF		

Pronto para Transferir/Ready To Transfer

