

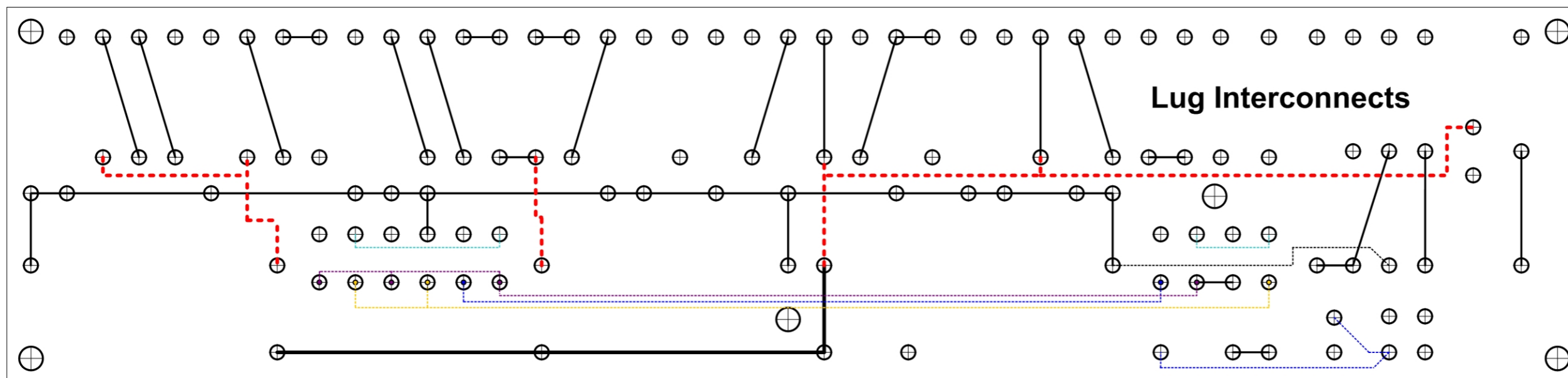
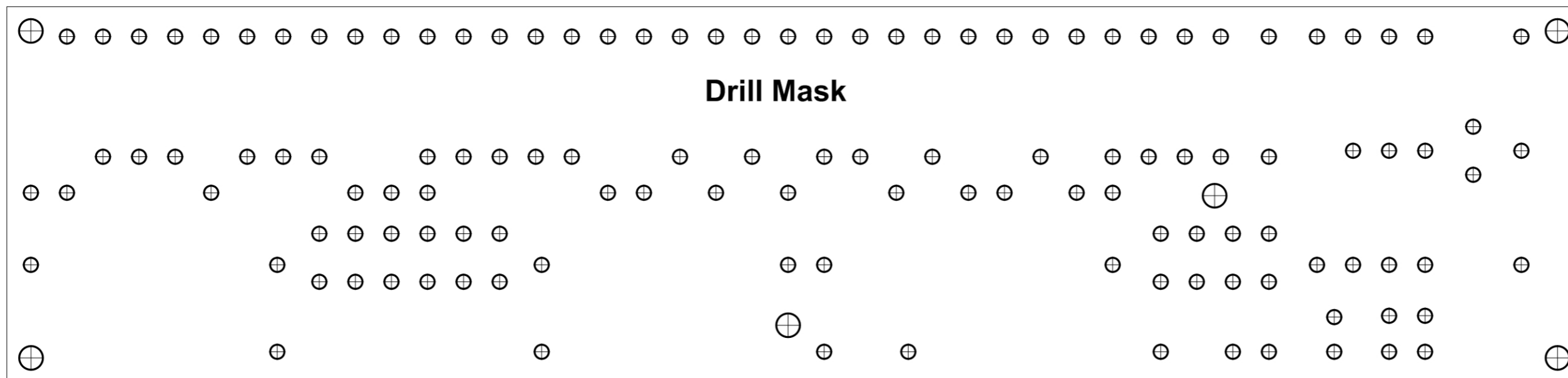
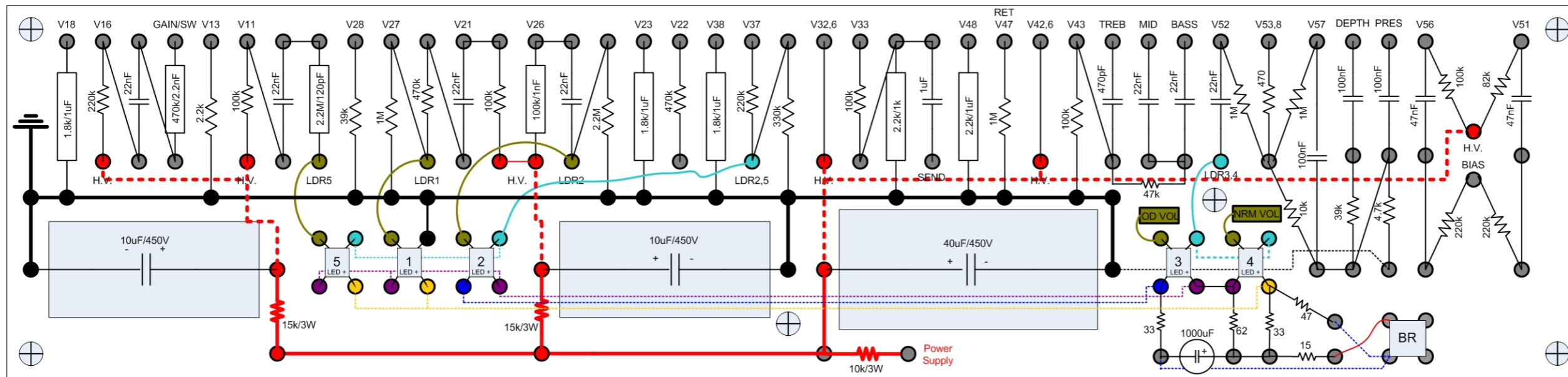
Print in color on 11x17 paper

Dashed wires are run under the board

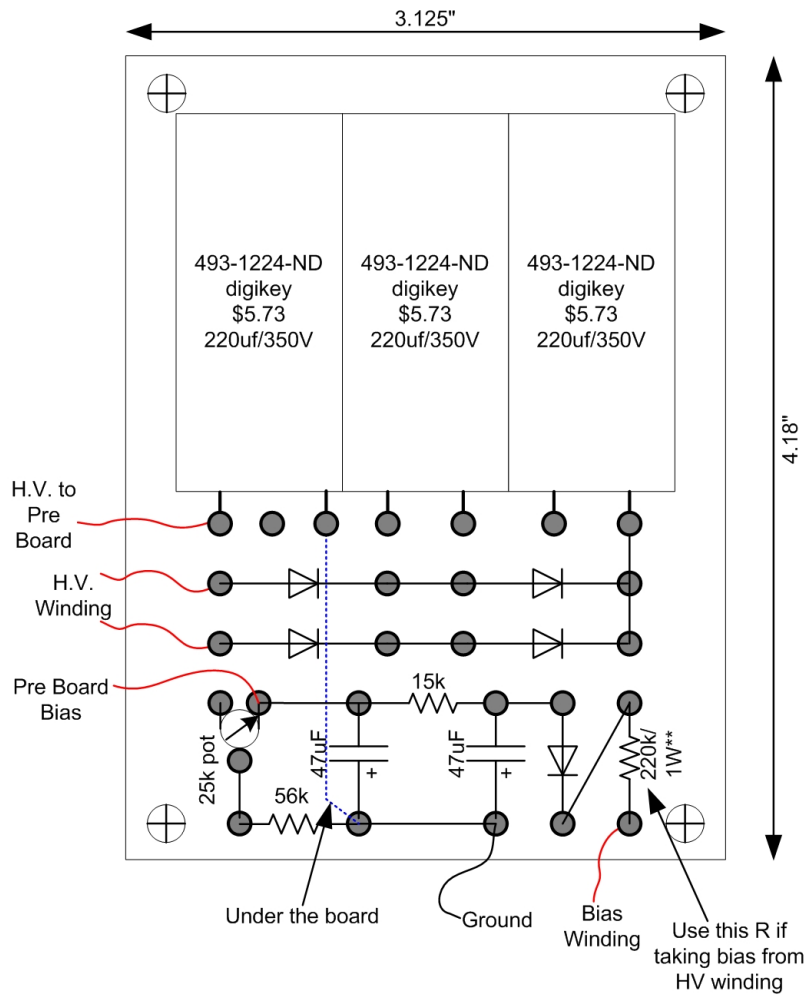
Preamp GND goes to input jack and back of all pots

Components not shows in this layout but listed on the schematic get mounted on adjacent jacks/sockets/pots

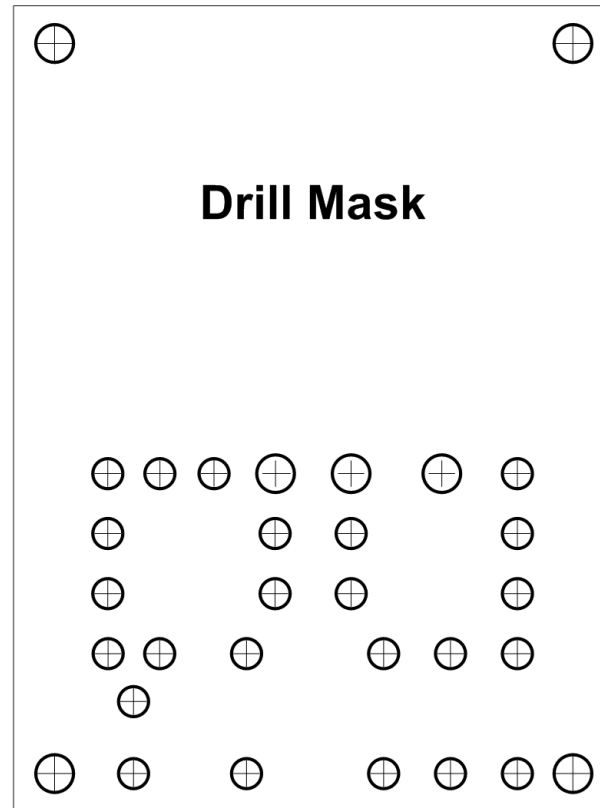
Either Mallory TC series power caps or Sprague TVA series can be used.



TOP VIEW



Drill Mask



FRONT VIEW / CAPACITOR CROSS SECTION

