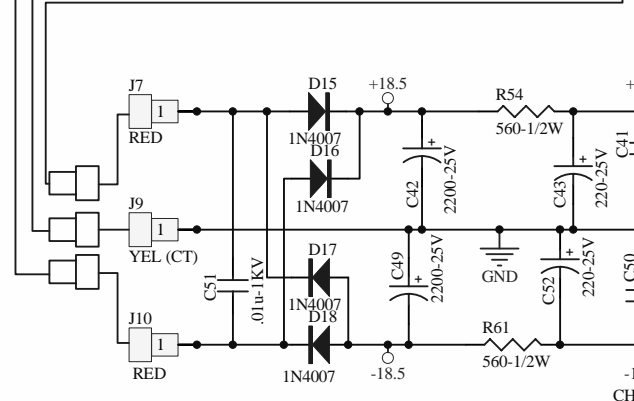
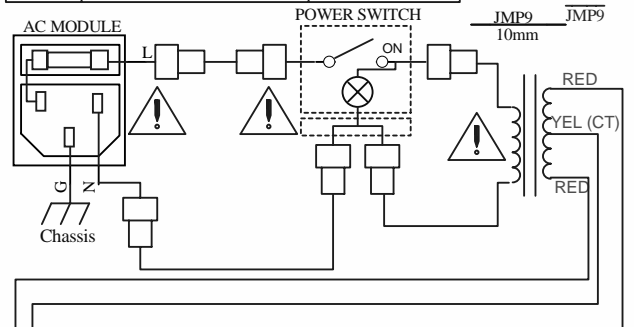


TRANSFORMER P/N	FUSE
100V 5600-0311	T315mA/250V
120V 5600-0312	T315mA/250V
240V 5600-0313	T160mA/250V



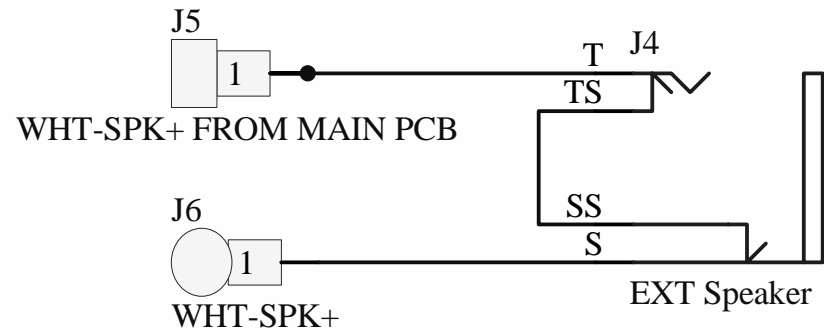
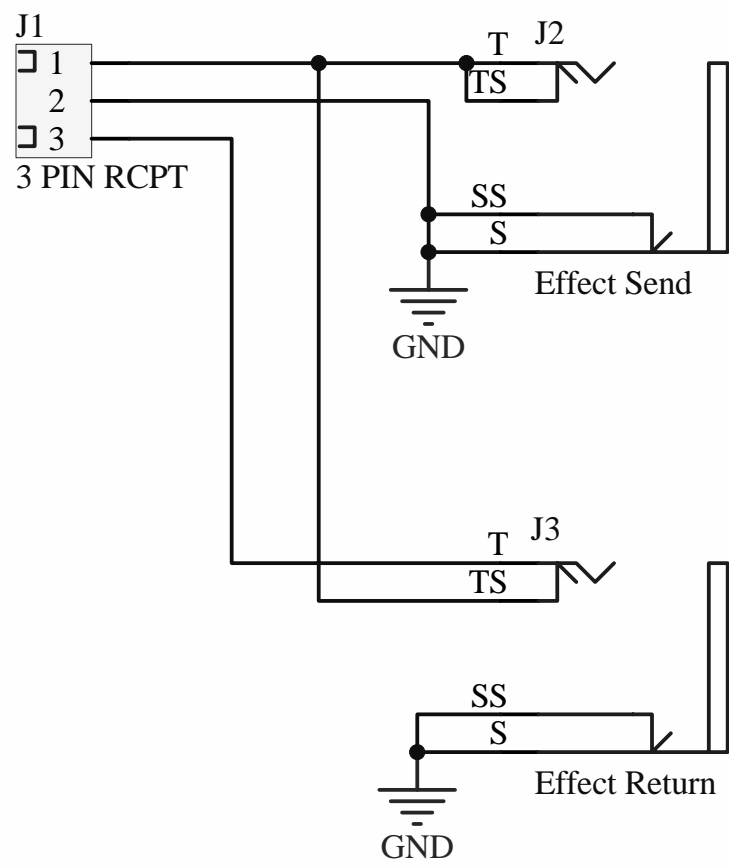
Title: **KG112FX KG210FX Preamp**

Revision: B

Date: 31OCT2009 SHEET 1 of 1 | Approved by: James Brown

File: KG112FX-KG210FX_RevB_31OCT2009fc-lwj,SchDoc

Kustom
 Kustom Amplification Inc.
 3015 Kustom Drive
 Hebron, KY 41048
 USA



Title: KG210FX Jack Board	
Revision: A	
Date: 08-SEP-2009 SHEET 1 of 1	Approved by: Pending Test
File: KG210FX-JackBoard_RevA_08SEP2009.SchDoc	

Kustom Amplification Inc.
3015 Kustom Drive
Hebron, KY 41048
USA

